

NO : 1500N02

金輪牌工業用縫紉機

GOLDEN WHEEL INDUSTRIAL SEWING MACHINE
HIGH SPEED FLAT BED INTERLOCKSTITCH MACHINE

零件分解圖

PARTS BOOK

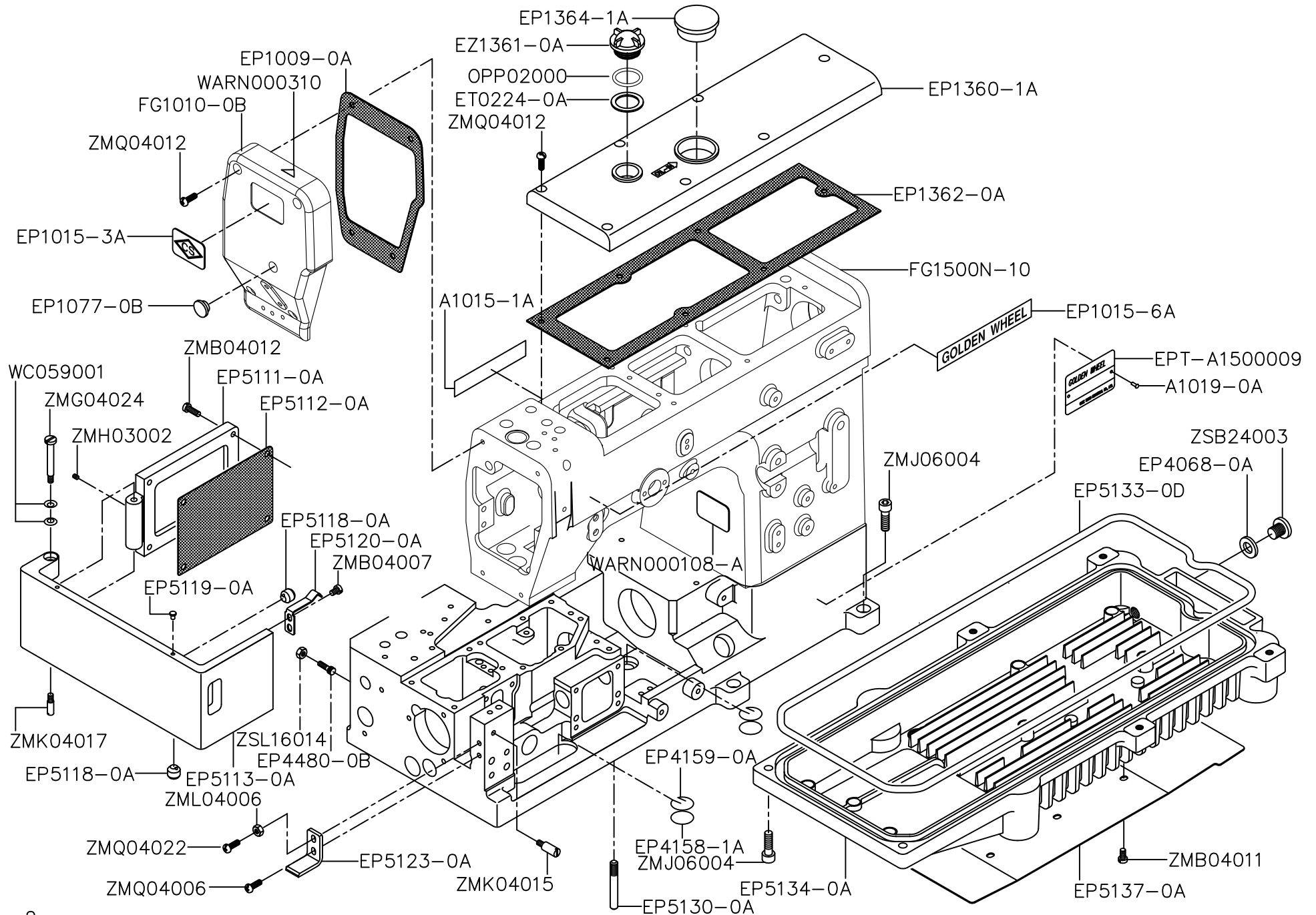
MODEL: CSA-1500N

啓翔股份有限公司
CHEE SIANG INDUSTRIAL CO., LTD.

MODEL : CSA-1500N SERIES

索引	INDEX	PAGE
A. 外觀零件(1) -----	MISCELLANEOUS COVERS(1) -----	2-5
B. 外觀零件(2) -----	MISCELLANEOUS COVERS(2) -----	6-9
C. 線道機構 -----	MISCELLANEOUS THREAD EYELETS -----	10-13
D. 套管零件 -----	MISCELLANEOUS BUSHINGS -----	14-17
E. 主軸傳動機構 -----	MAIN SHAFT DRIVING MECHANISM -----	18-19
F. 收線機構 -----	THREAD TAKE-UP MECHANISM -----	20-21
G. 上軸機構 -----	UPPER SHAFT MECHANISM -----	22-23
H. 針線收線機構 -----	NEEDLE THREAD TAKE-UP MECHANISM -----	24-25
I. 針棒機構 -----	NEEDLE BAR MECHANISM -----	26-29
J. 壓腳機構 -----	PRESSER FOOT MECHANISM -----	30-33
K. 裝飾線機構 -----	SPREADER MECHANISM -----	34-35
L. 勾針驅動機構(1) -----	LOOPER DRIVING MECHANISM(1) -----	36-37
M. 勾針驅動機構(2) -----	LOOPER DRIVING MECHANISM(2) -----	38-39
N. 送料控制機構 -----	FEED DRIVING CONTROL MECHANISM -----	40-43
O. 送料機構 -----	FEED DRIVING MECHANISM -----	44-45
P. 潤滑系統(1) -----	LUBRICATING SYSTEM(1) -----	46-49
Q. 潤滑系統(2) -----	LUBRICATING SYSTEM(2) -----	50-51
R. 附件 -----	ACCESSORIES -----	52-55
零件號碼與頁數對照 -----	NUMERICAL PARTS-LIST -----	56-59
附錄 -----	APPENDIX -----	60

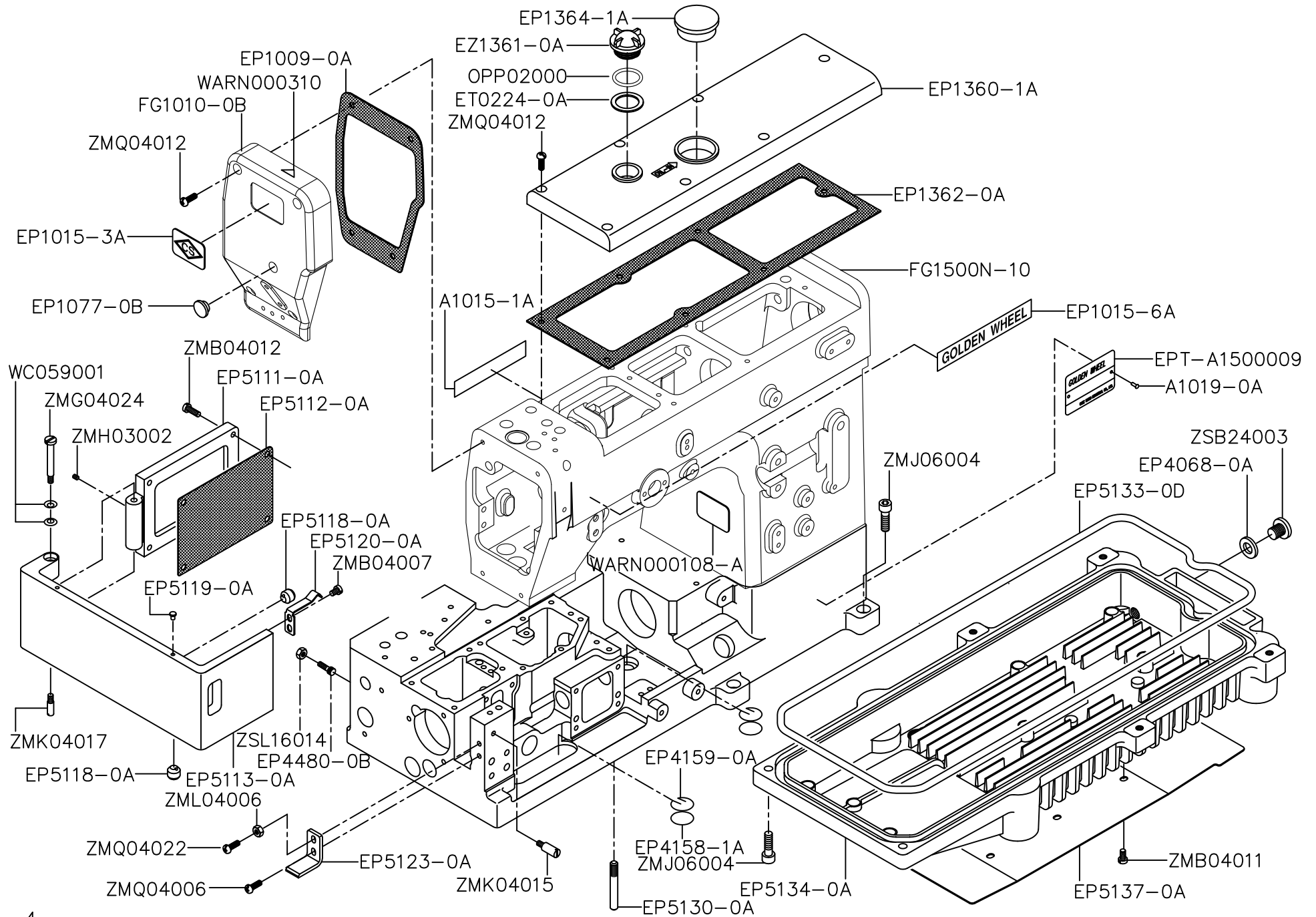
A. CSA-1500N 外觀零件(1) MISCELLANEOUS COVERS (1)



A. CSA-1500N 外觀零件(1) MISCELLANEOUS COVERS(1)

零件號碼 Parts No.	零件名稱	Name of Parts	件數 Q'TY	備註 Remarks
A1015-1A	銘板	Brand Name Plate	1	
EP1009-0A	面板墊片	Head Cover Gasket	1	
EP1015-3A	銘板	Brand Name Plate	1	
EP1015-4A	銘板	Brand Name Plate	1	
EP1016-1A	機型銘板	Model Plate	1	
EP1077-0B	塞子	Head Cover Seal Plug	1	
EP1360-1A	頂蓋	Top cover	1	
EP1362-0A	頂蓋墊片	Top cover Gasket	1	
EP1364-1A	塞子	Top Cover Seal Plug	1	
EP4068-0C	墊圈	Drain Hole Seal	1	
EP4158-1A	墊圈	Drain Hole Seal	2	
EP4159-0A	墊片	Drain Hole Seal	2	
EP5111-0A	後側安全蓋	Bed Rear Cover	1	
EP5112-0A	後側安全蓋墊片	Bed Rear Cover Gasket	1	
EP5113-0A	左側安全蓋	Side Cover	1	
EP5118-0A	緩衝墊	Rubber Cushion (Large)	2	
EP5119-0A	緩衝墊	Rubber Cushion (Small)	2	
EP5120-0A	左側蓋彈簧	Cover Latch Spring	1	
EP5123-0A	固定板	Side Cover Holder	1	
EP5130-0A	支持棒	Machine Frame Supporting Bar	4	
EP5133-0D	墊片	WASHER	1	
EP5134-0A	下油槽	Oil Reservoir	1	
EP5137-0A	導風板	Wind Guide Plate	1	
ET0224-0A	墊圈	Drain Hole Seal	1	
EZ1361-0A	油鏡	Oil Sight Window	1	
FG1010-0B	面板	Head Cover	1	
OPPO2000	O型環	O-Ring	1	
FG1500N-10	本體	Machine Frame Unit	1	
WARN000108	标识	Conical Spring Washer	1	
WARN000310	标识	Conical Spring Washer	1	

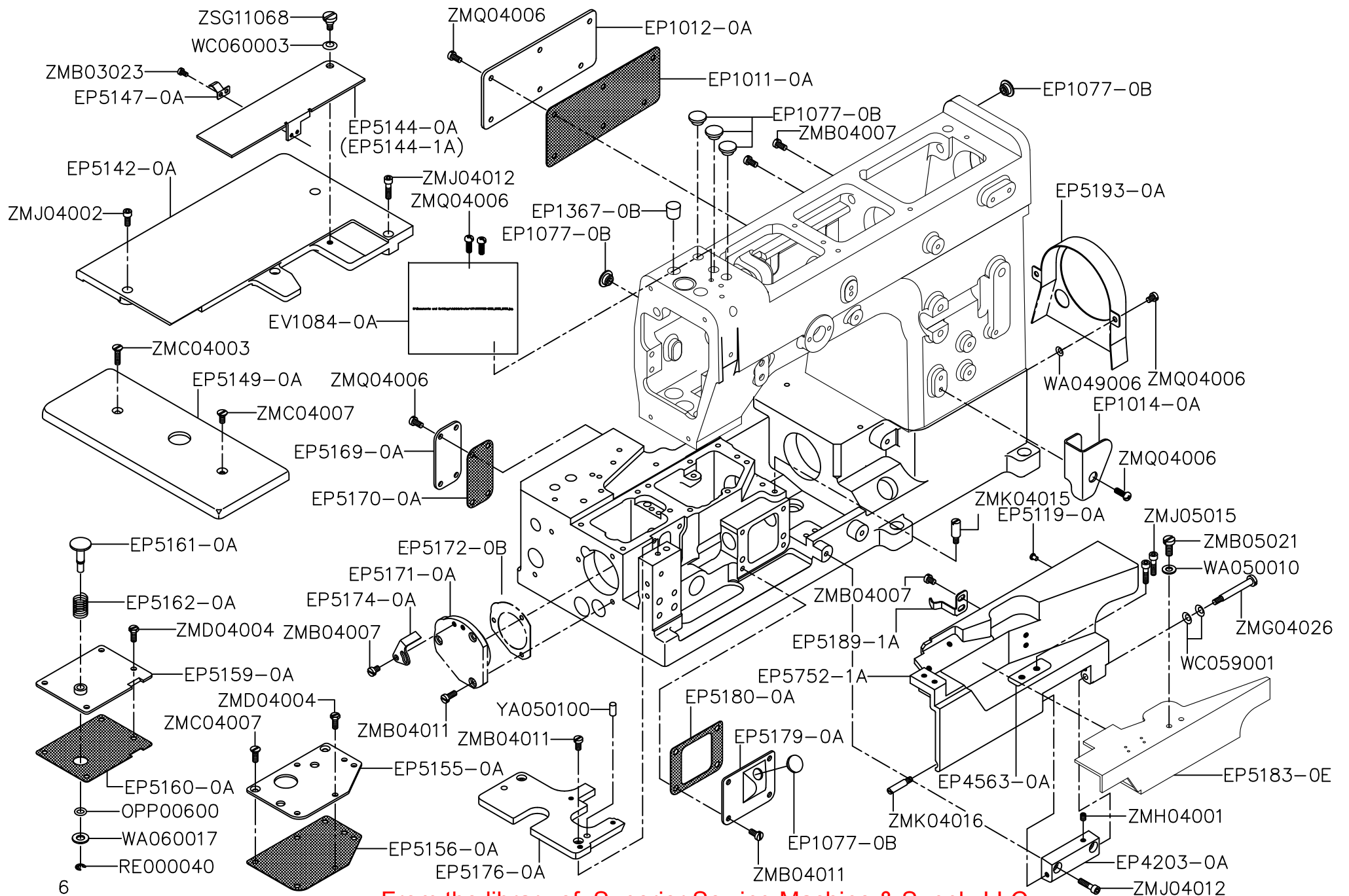
A. CSA-1500N 外觀零件(1) MISCELLANEOUS COVERS (1)



A. CSA-1500N 外觀零件(1) MISCELLANEOUS COVERS(1)

零件號碼 Parts No.	零件名稱	Name of Parts	件數 Q'TY	備註 Remarks
WC059001	盤形彈簧墊圈	Conical Spring Washer	2	
ZMB04007	螺絲	Screw (M4-0.7×5)	2	
ZMQ04006	螺絲	Screw (M4-0.7×4.5)	5	
ZMQ04022	螺絲	Screw (M4-0.7×15)	1	
ZMG04024	螺絲	Screw (M4-0.7×8)	1	
ZMH03002	螺絲	Screw (M3-0.5×3)	1	
ZMJ06004	螺絲	Screw (M6-1×20)	6	
ZMK04015	螺絲	Screw (M4-0.7×7)	1	
ZMK04017	螺絲	Screw (M4-0.7×6)	1	
ZML04006	螺帽	Nut (M4-0.7)	1	
ZMQ04012	螺絲	Screw (M4-0.7×12)	15	
ZSB24003	螺絲	Screw (3/8-28×10)	1	

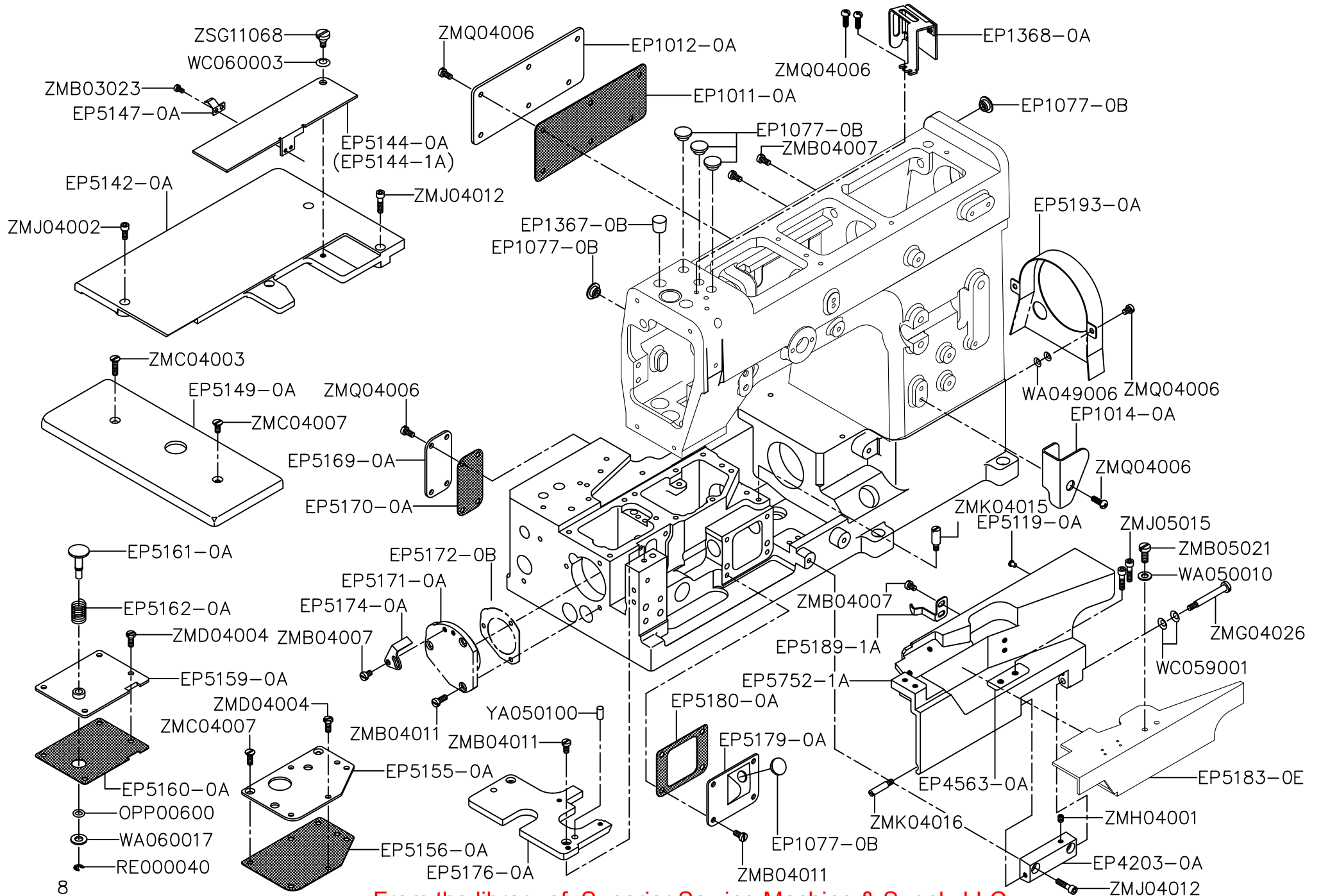
B. CSA-1500N 外觀零件(2) MISCELLANEOUS COVERS (2)



B. CSA-1500N 外觀零件(2) MISCELLANEOUS COVERS(2)

零件號碼 Parts No.	零件名稱	Name of Parts	件數 Q'TY	備註 Remarks
EP1011-0A	後蓋板墊	Rear Cover Gasket	1	
EP1012-0A	後蓋板	Rear Cover	1	
EP1014-0A	線道蓋	Eyelet Cover	1	
EP1077-0B	塞子	Seal Plug	6	
EP1367-0B	塞子	Seal Plug	1	
EV1084-0A	保護蓋	Needle Bar Guard	1	
EP4203-0A	鉸鍊	Front Cover Hinge	1	
EP4563-0A	蓋板	r Cover (Small)	1	
EP5119-0A	緩衝墊	Rubber Cushion (Small)	2	
EP5142-0A	底座上蓋	Cloth Plate (Large)	1	
EP5144-0A	活動蓋	Looper Thread Take-up Cover (32, 40, 48, 56)	1	
EP5144-1A	活動蓋	Looper Thread Take-up Cover (64)	1	
EP5147-0A	活動蓋彈簧	Take-up Cover Spring	1	
EP5149-0A	底座上蓋	Cloth Plate (Small)	1	
EP5155-0A	右上蓋板	Bed Top Cover (Right)	1	
EP5156-0A	右上蓋板墊片	Bed Top Cover Gasket (Right)	1	
EP5159-0A	左上蓋板	Bed Top Cover (Left)	1	
EP5160-0A	左上蓋板墊片	Bed Top Cover Gasket (Left)	1	
EP5161-0A	按鈕	Feed Regulating Pushbutton	1	
EP5162-0A	彈簧	Feed Regulating Pushbutton Spring	1	
EP5169-0A	小後蓋板	Bed Rear Cover (Small)	1	
EP5170-0A	小後蓋板墊片	Bed Rear Cover Gasket (Small)	1	
EP5171-0A	軸承端蓋	Ball Bearing Housing	1	
EP5172-0B	O型環	O-ring	1	
EP5174-0A	固定板	Pushbutton Stop	1	
EP5176-0A	針板架	Stitch Plate Support	1	
EP5179-0A	前蓋板	Bed Front Cover	1	
EP5180-0A	前蓋板墊片	Bed Front Cover Gasket	1	
EP5752-1A	底座前蓋	Front Cover (32, 40, 48, 56)	1	
EP5183-0E	底座前蓋	Front Cover (64)	1	
EP5189-1A	前蓋彈簧	Front Cover Spring	1	
EP5193-0A	冷卻風扇蓋	Oil Cooling Fan Cover	1	

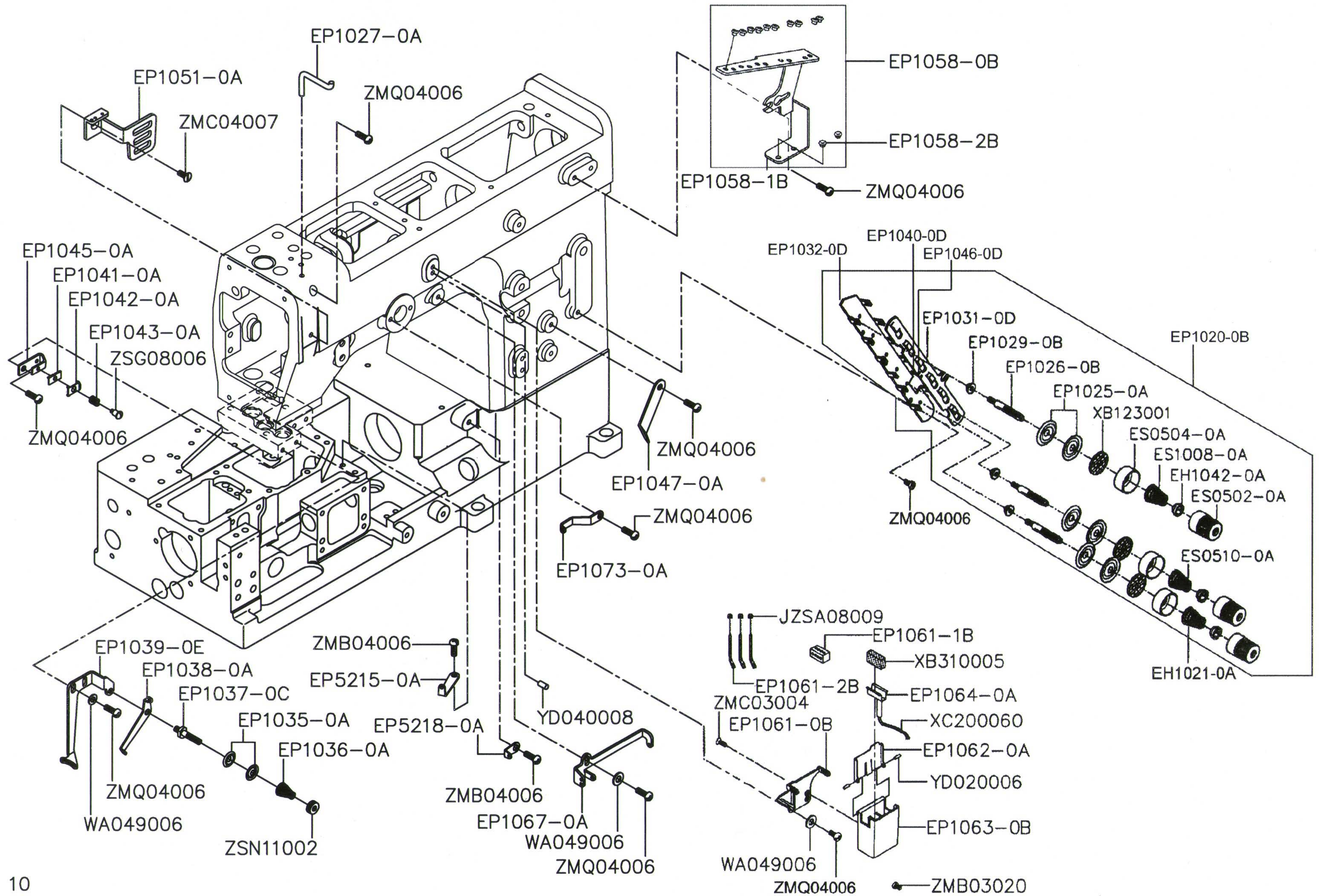
B. CSA-1500N 外觀零件(2) MISCELLANEOUS COVERS (2)



B. CSA-1500N 外觀零件(2) MISCELLANEOUS COVERS(2)

零件號碼 Parts No.	零件名稱	Name of Parts	件數 Q'TY	備註 Remarks
OPP00600	0型環	O-ring (P6)	1	
RE000040	扣環	Retaining Ring	1	
WA050010	平墊圈	Washer	2	
WA049006	平墊圈	Washer	2	
WA060017	平墊圈	Washer	1	
WC059001	盤形彈簧墊圈	Conical Spring Washer	2	
WC060003	盤形彈簧墊圈	Conical Spring Washer	1	
YA050100	銷	Knock Pin	2	
ZMB03023	螺絲	Screw (M3-0.5×2.6)	2	
ZMB04006	螺絲	Screw (M4-0.7×8)	21	
ZMB04007	螺絲	Screw (M4-0.7×5)	6	
ZMB04011	螺絲	Screw (M4-0.7×8)	5	
ZMQ04006	螺絲	Screw (M4-0.7×4.5)	5	
ZMB05021	螺絲	Screw (M5-0.8×12)	2	
ZMC04003	螺絲	Screw (M4-0.7×14)	1	
ZMC04007	螺絲	Screw (M4-0.7×7)	3	
ZMD04004	螺絲	Screw (M4-0.7×10)	8	
ZMG04026	螺絲	Screw (M4-0.7×8)	1	
ZMH04001	螺絲	Screw (M4-0.7×4)	1	
ZMJ04002	螺絲	Screw (M4-0.7×10)	1	
ZMJ04012	螺絲	Screw (M4-0.7×16)	5	
ZMJ04015	螺絲	Screw (M5-0.8×14)	2	
ZMK04015	螺絲	Screw (M4-0.7×7)	1	
ZMK04016	螺絲	Screw (M4-0.7×6)	1	
ZSG11068	螺絲	Screw (11/64-40×6.7)	1	

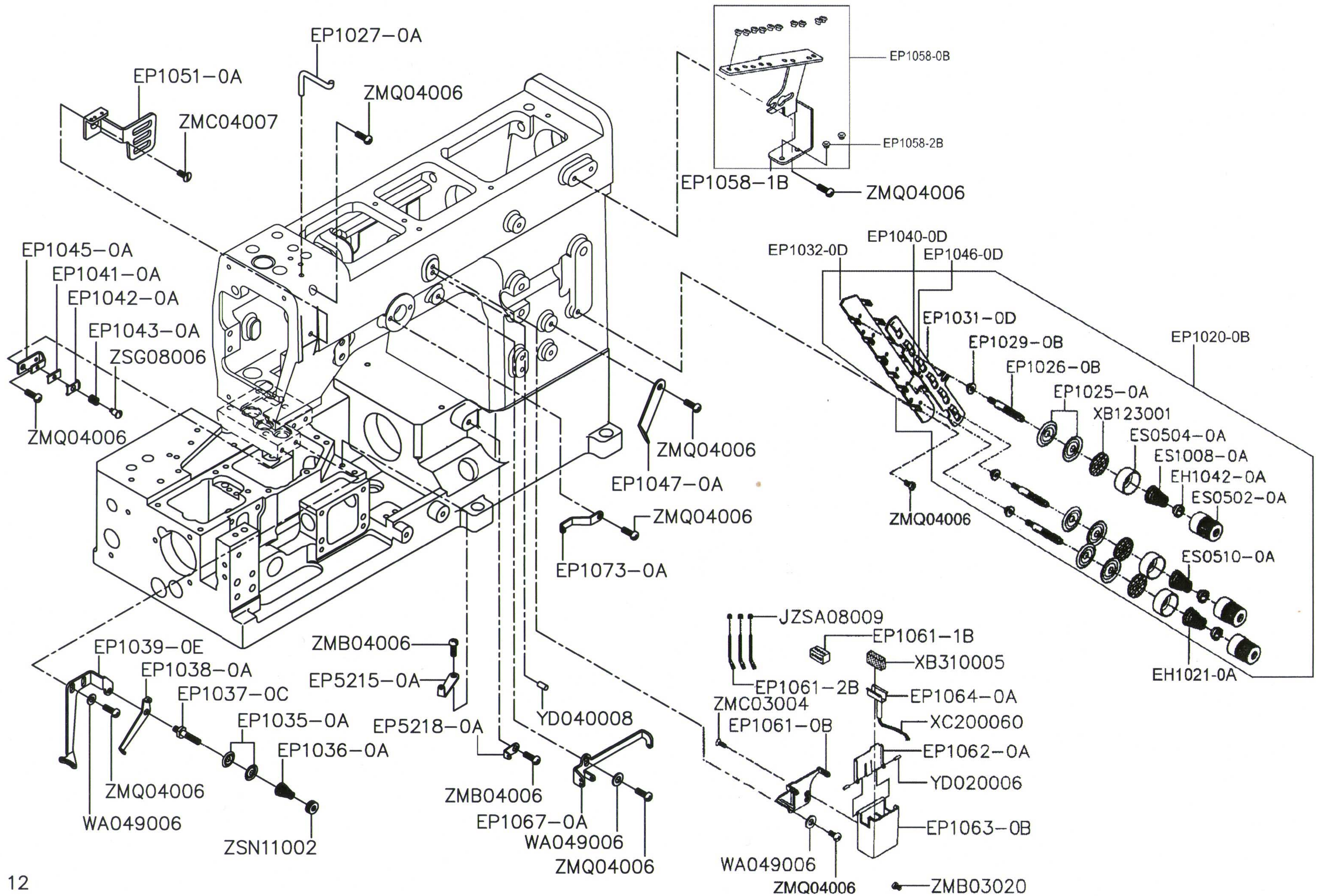
C. CSA-1500N 線道機構 MISCELLANEOUS THREAD EYELETS



C. CSA-1500N 線道機構 MISCELLANEOUS THREAD EYELETS

零件號碼 Parts No.	零件名稱	Name of Parts	件數 Q'TY	備註 Remarks
EP1021-0A	彈簧	Needle Thread Tension Spring	3	
EP1021-1A	彈簧	Top Cover Thread Tension Spring	1	
EP1021-2A	彈簧	Looper Thread Tension Spring	1	
EP1024-0A	導線片	Tension Disc Eyelet	5	
EP1024-1A	導線片	Thread Lead-in Guide	5	
EP1025-0A	壓線盤	Tension Disc	10	
EP1026-0B	調整螺絲棒	Tension Post	5	
EP1027-0A	導線棒	Needle Thread Guide	1	
EP1029-0B	套管	Tension Post Ferrule	5	
EP1030-0A	彈簧座	Thread Tension Spring Retainer	5	
EP1031-0D	調節板	Tension Disc Separator	1	
EP1032-0D	固定板	Tension Post Support	1	
EP1034-0A	彈簧調整鈕	Thread Tension Spring Cap	5	
EP1035-0A	壓線盤	Supplementary Tension Disc	2	
EP1036-0A	彈簧	Supplementary Tension Spring	1	
EP1037-0A	調整螺絲棒	Tension Post	1	
EP1038-0A	線掛	Supplementary Thread Guide	1	
EP1039-0E	導線座	Top Cover Thread Guide	1	
EP1040-0A	小調子板	Thread Retainer Disc Support	1	
EP1041-0A	小調子板	Thread Retainer Disc Support	1	
EP1042-0A	小調子盤	Needle Thread Retainer Disc	1	
EP1043-0A	彈簧	Needle Thread Retainer Spring	1	
EP1045-0A	小調子台	Needle Thread Retainer Support	1	
EP1047-0A	線掛	Looper Thread Eyelet (Long)	1	
EP1051-0A	線掛	Needle Thread Take-up Guard	1	
EP1058-2B	導線管	Thread Eyelet Pipe (Short)	12	
EP1058-1B	線掛	Thread Guide Plate	1	
EP1058-0B	線掛組	Thread Guide, Complete Set	1	
EP1060-0A	油壺組	SP Device, Complete Set	1	
EP1061-0B	線掛	Needle Thread Eyelet	1	
EP1061-2B	过线杆	Needle Thread Eyelet	3	
EP1061-1B	连接块	Block	1	

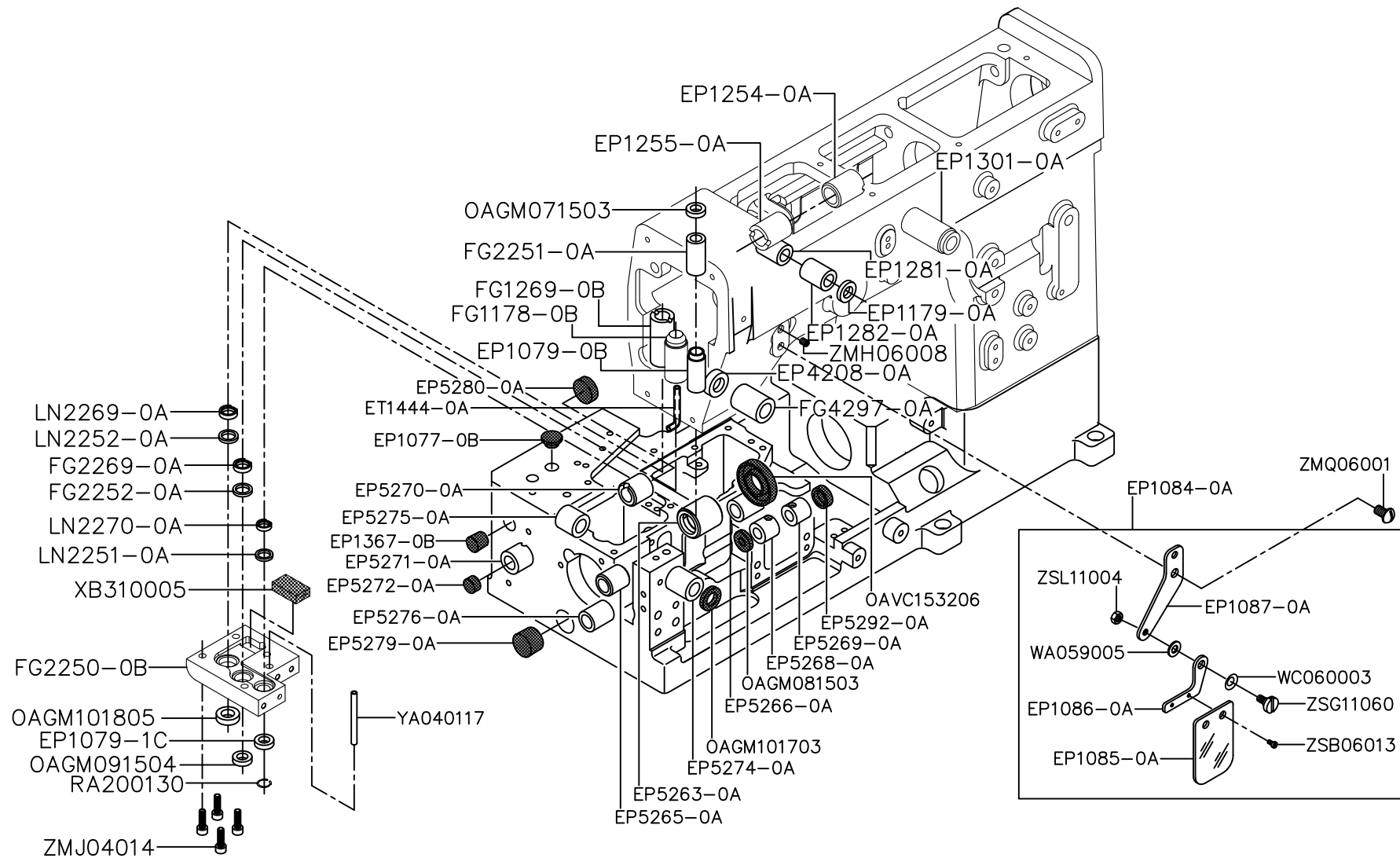
C. CSA-1500N 線道機構 MISCELLANEOUS THREAD EYELETS



C. CSA-1500N 線道機構 MISCELLANEOUS THREAD EYELETS

零件號碼 Parts No.	零件名稱	Name of Parts	件數 Q'TY	備註 Remarks
EP1062-0A	油壺蓋	SP Container Lid	1	
EP1063-0A	油壺	SP Container	1	
EP1064-0A	油棉座	SP Felt Stay	1	
EP1067-0A	線掛	Top Cover Thread Eyelet (Right)	1	
EP1073-0A	線掛	Top Cover Thread Eyelet (Left)	1	
EP5215-0A	線掛	Looper Thread Eyelet	1	
EP5218-0A	線掛	Looper Thread Eyelet	1	
ES1008-0A	彈簧	Supplementary Tension Spring	1	
ES0504-0A	外殼	Cover	1	
ES0510-0A	彈簧	Supplementary Tension Spring	1	
EH1021-0A	彈簧	Supplementary Tension Spring	1	
WA049006	平墊圈	Washer	4	
XB123001	油棉	Felt	5	
XB310005	油棉	Felt	1	
XC200060	油棉	Felt	1	
YD020006	銷	Pin	2	
YD040008	銷	Guide Pin	1	
ZMB03020	螺絲	Screw (M3-0.5x5)	1	
ZMQ04006	螺絲	Screw (M4-0.7x4.5)	14	
ZMC03004	螺絲	Screw (M3-0.5x8)	2	
ZMC04007	螺絲	Screw (M4-0.7x8)	1	
JZSA08009	螺絲	Screw (1/8-44x2.4)	1	
ZSG08006	螺絲	Screw (1/8-44x2.2)	1	
ZSN11002	螺帽	Nut	1	

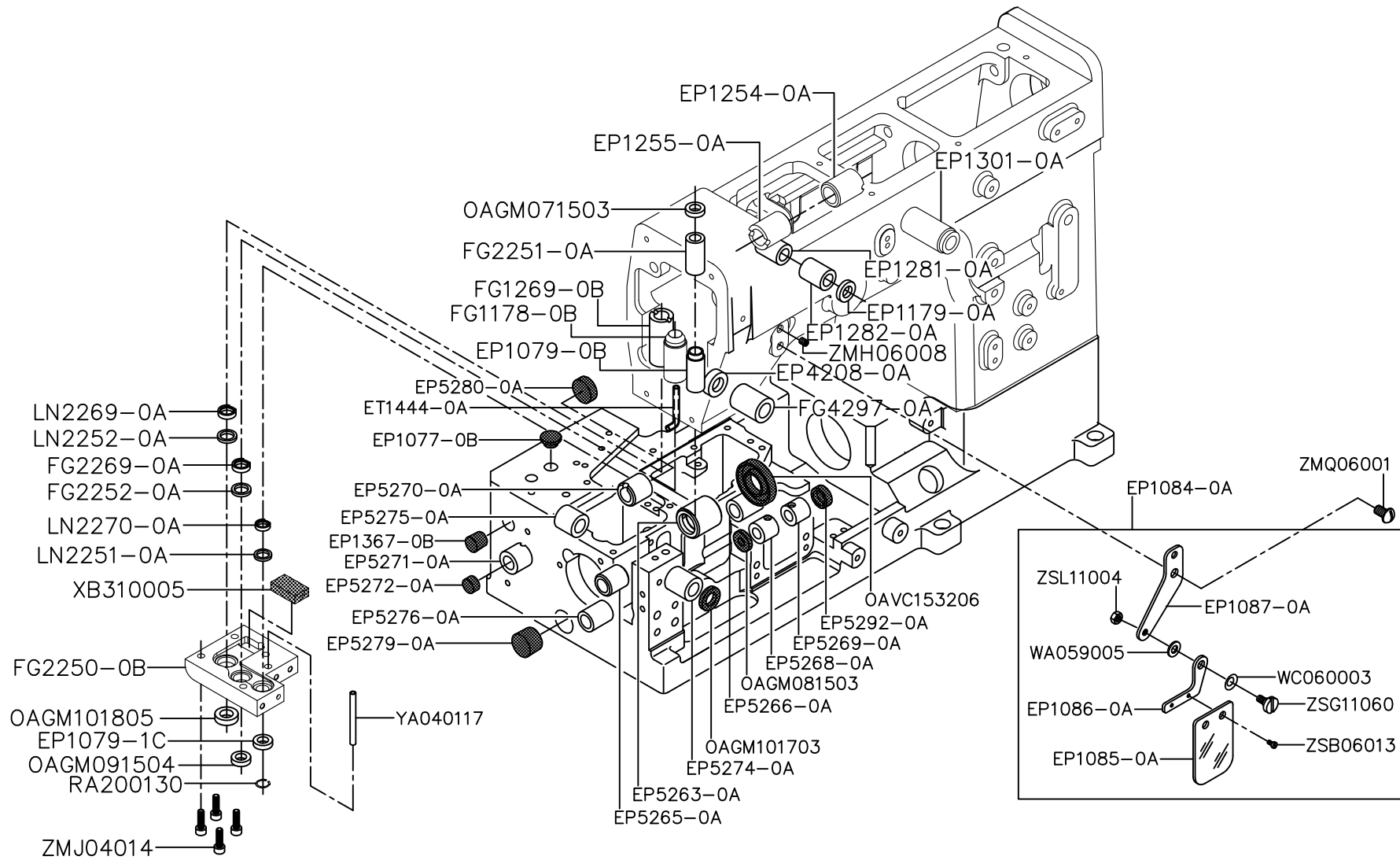
D. CSA-1500N 套管機構 MISCELLANEOUS BUSHINGS



D. CSA-1500N 套管零件 MISCELLANEOUS BUSHINGS

零件號碼 Parts No.	零件名稱	Name of Parts	件數 Q'TY	備註 Remarks
EP1077-0B	塞子	Seal Plug	1	
EP1079-0B	套管(下)	Needle Bar Bushing (Lower)	1	
EP1079-1C	油封	Seal Plug	1	
EP1084-0A	安全鏡片組	Eye Guard, Complete Set	1	
EP1085-0A	安全鏡片	Eye Guard	1	
EP1086-0A	搖動臂	Eye Guard Holder	1	
EP1087-0A	固定片	Eye Guard Support	1	
EP1254-0A	套管	Spreader Driving Shaft Bushing (Right)	1	
EP1255-0A	套管	Spreader Driving Shaft Bushing (Left)	1	
EP1281-0A	套管	Needle Thread Take-up Bushing (Rear)	1	
EP1282-0A	套管	Needle Thread Take-up Bushing (Front)	1	
EP1301-0A	套管	Foot Lifter Lever Bushing	1	
EP1367-0B	塞子	Seal Plug	1	
EP5263-0A	套管	Lower Shaft Bushing (Left)	1	
EP5265-0A	套管	Looper Rocker Shaft Bushing (Left)	1	
EP5266-0A	套管	Looper Rocker Shaft Bushing (Right)	1	
EP5268-0A	套管	Needle Guard Shaft Bushing (Left)	1	
EP5269-0A	套管	Needle Guard Shaft Bushing (Right)	1	
EP5270-0A	套管	Feed Bar Driving Shaft Bushing (Right)	1	
EP5271-0A	套管	Feed Bar Driving Shaft Bushing (Left)	1	
EP5272-0A	塞子	Seal Plug	1	
EP5274-0A	套管	Looper Driving Shaft Bushing (Front)	1	
EP5275-0A	套管	Looper Driving Shaft Bushing (Rear)	1	
EP5276-0A	套管	Differential Lever Bushing	1	
EP5279-0A	塞子	Seal Plug	1	
EP5280-0A	塞子	Seal Plug	1	
EP5292-0A	蓋子	Seal Plug	1	
ET1444-0A	套管	Presser Bar Bushing	1	
FG1178-0B	套管	Presser Bar Bushing	1	
FT1444-0A	套管	Presser Bar Bushing	1	
FG1269-0B	套管	Spreader Driving Bar Bushing	1	
FG2250-0B	防油座	Oil Seal	1	

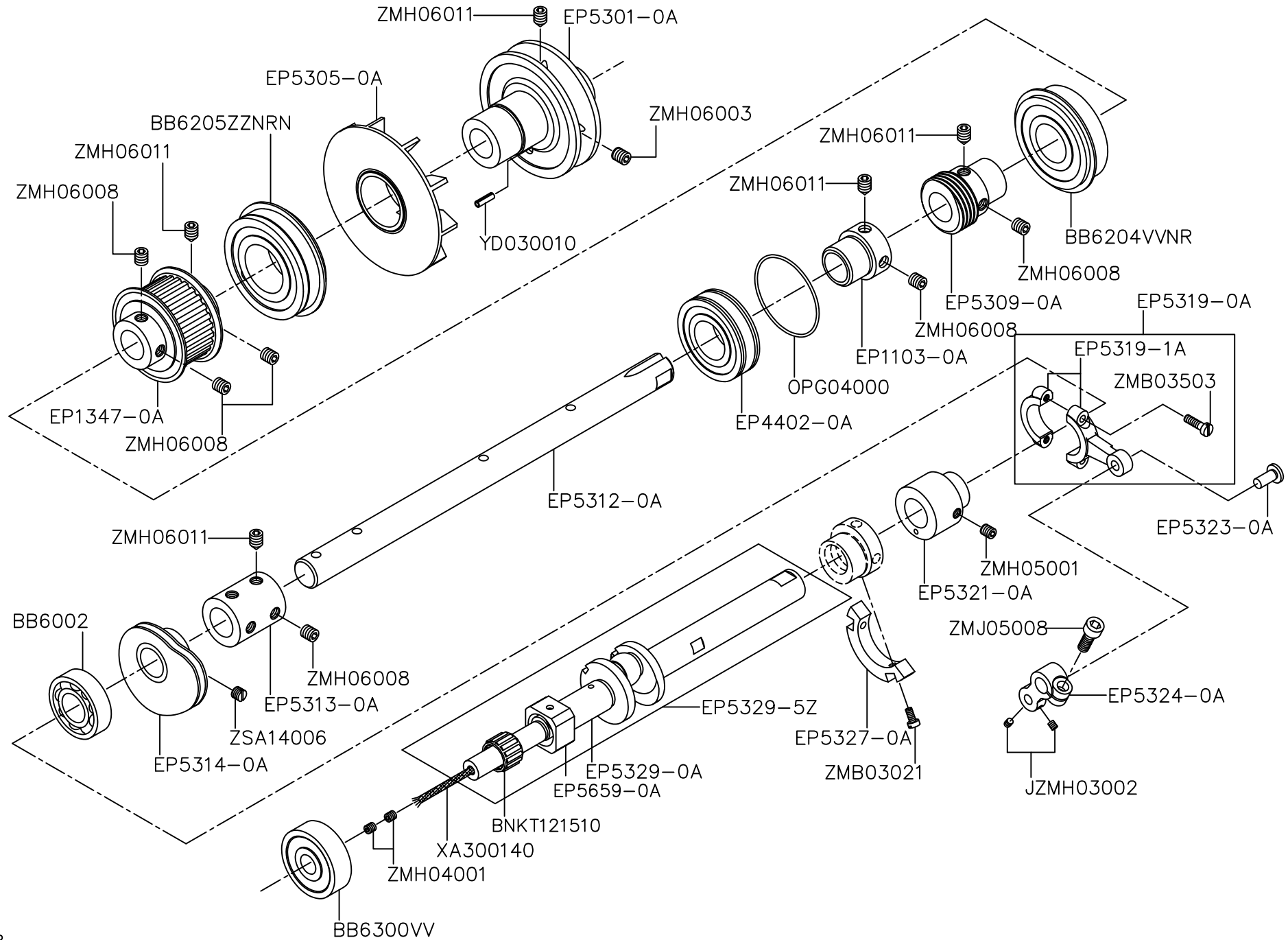
D. CSA-1500N 套管機構 MISCELLANEOUS BUSHINGS



D. CSA-1500N 套管零件 MISCELLANEOUS BUSHINGS

零件號碼 Parts No.	零件名稱	Name of Parts	件數 Q'TY	備註 Remarks
FG2251-0A	套管(上)	Needle Bar Bushing (Upper)	1	
FG2252-0A	防油圈	Oil Seal	1	
FG2269-0A	油封	Oil Seal	2	
LN2252-0A	防油圈	Oil Seal	1	
LN2269-0A	油封	Oil Seal	1	
LN2270-0A	油封	Seal Plug	1	
OAGM071503	油封	Seal Plug	1	
OAGM081503	油封	Seal Plug	1	
OAGM091504	油封	Seal Plug	1	
OAGM101703	油封	Seal Plug	1	
OAGM101805	油封	Seal Plug	1	
OAVC153206	油封	Seal Plug	1	
RA200130	C型扣環	C Ring	1	
WA059005	平墊圈	Washer	1	
WC060003	盤形彈簧墊圈	Conical Spring Washer	1	
YA040117	銷	Roll Pin	1	
XB310005	油棉	Felt	1	
ZMJ04014	螺絲	Screw (M4x0.7x14)	4	
ZMQ06001	螺絲	Screw (M6-1x10)	1	
ZSB06013	螺絲	Screw (3/32-56x4.2)	2	
ZSG11060	螺絲	Screw (11/64-40x9.7)	1	
ZSL11004	螺帽	Nut (11/64-40)	1	

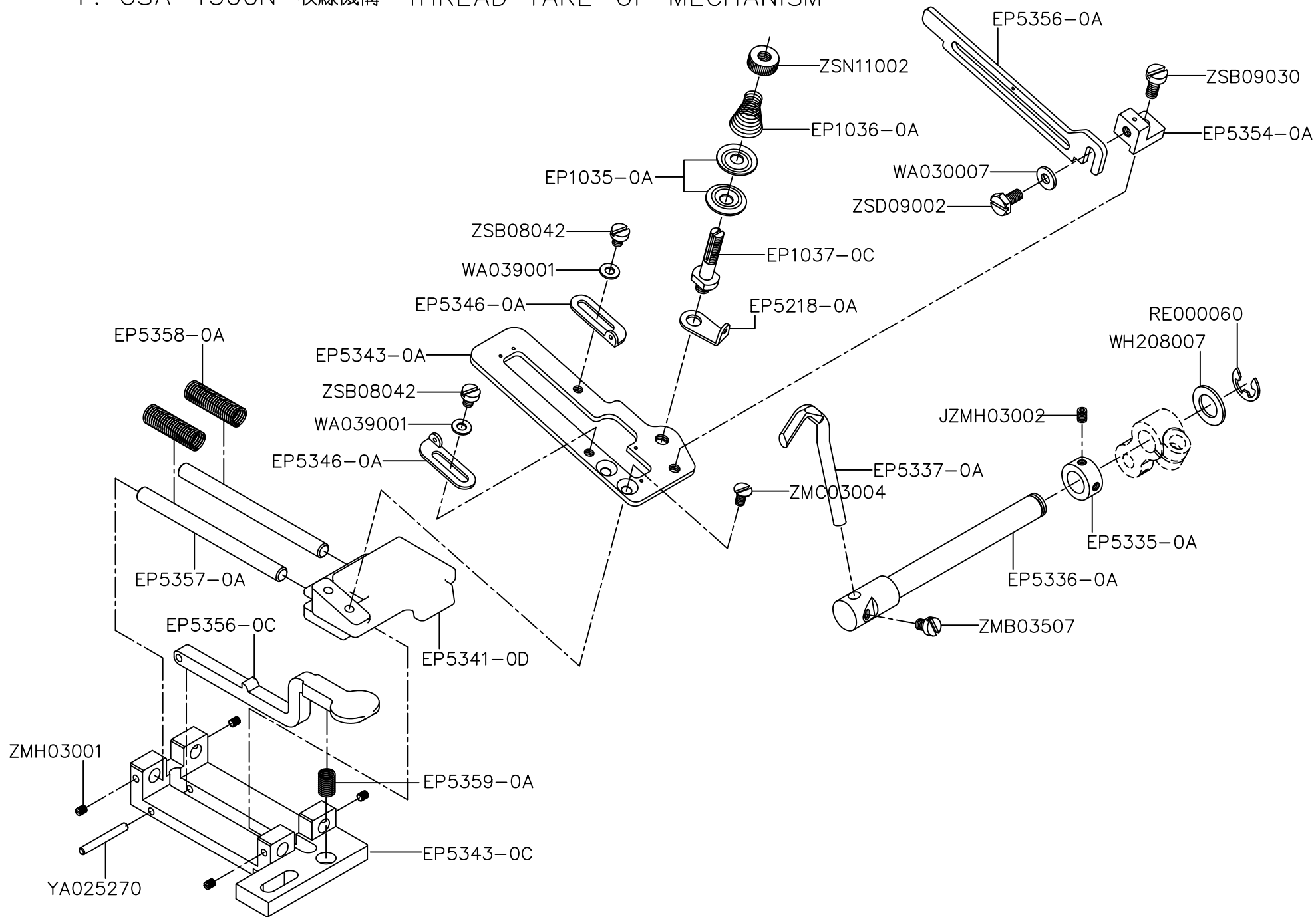
E. CSA-1500N 主軸傳動機構 MAIN SHFAT DRIVING MECHANISM



E. CSA-1500N 主軸傳動機構 MAIN SHAFT DRIVING MECHANISM

零件號碼 Parts No.	零件名稱	Name of Parts	件數 Q'TY	備註 Remarks
BB6002	滾珠軸承	Ball Bearing	1	
BB6204VVNR	滾珠軸承	Ball Bearing (Middle)	1	
BB6205ZZNR	滾珠軸承	Ball Bearing (Right)	1	
BB6300VV	滾珠軸承	Ball Bearing	1	
EP1103-0A	軸承套管	Adapter	1	
EP1347-0A	齒型皮帶輪組	Main Shaft Pulley (Lower)	1	
EP4402-0A	滾珠軸承	Ball Bearing (Left)	1	
EP5301-0A	皮帶輪	Pulley	1	
EP5305-0A	油冷卻扇葉	Oil Cooling Fan	1	
EP5309-0A	蝸桿	Oil Pump Driving Worm	1	
EP5312-0A	下軸(右)	Lower Shaft (Right)	1	
EP5313-0A	連結器	Lower Shaft Joint	1	
EP5314-0A	下收線凸輪組	Lower Thread Take-up	1	
EP5319-0A	連桿組	Needle Guard Connecting Rod, C. Set	1	
EP5319-1A	連桿	Needle Guard Connecting Rod	1	
EP5321-0A	偏心襯套	Needle Guard Eccentric	1	
EP5323-0A	短銷	Connecting Rod Pin	1	
EP5324-0A	曲柄	Needle Guard Driving Shaft Arm	1	
EP5327-0A	平衡塊	counterweight	1	
EP5329-0A	曲軸	Lower Crankshaft	1	
OPG04000	O型環	O-ring	2	
XA300140	油棉	Oil Wick	1	
YD030010	彈簧銷	Roll Pin	1	
ZMB03021	螺絲	Screw (M3-0.5×6.5)	2	
ZMB03503	螺絲	Screw (M3.5-0.6×12)	2	
ZMH03002	螺絲	Screw (M3-0.5×3)	2	
ZMH04001	螺絲	Screw (M4-0.7×4)	2	
ZMH05001	螺絲	Screw (M5-0.8×5)	2	
ZMH06003	螺絲	Screw (M6-1×8)	1	
ZMH06008	螺絲	Screw (M6-1×6)	8	
ZMH06011	螺絲	Screw (M6-1×6)	5	
ZMJ05001	螺絲	Screw (M5-0.8×14)	1	
ZSA14006	螺絲	Screw (7/32-32×3.6)	2	

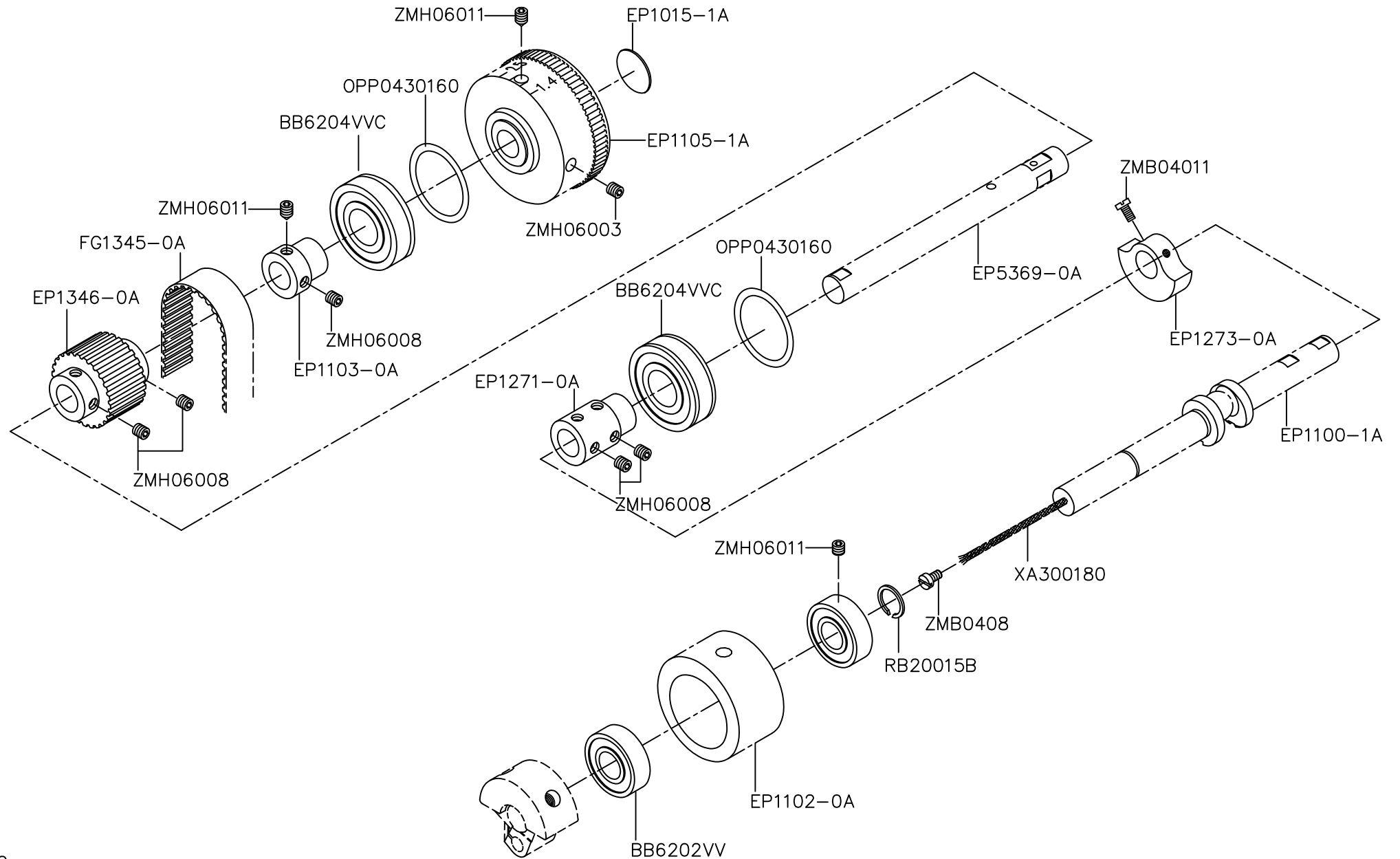
F. CSA-1500N 收線機構 THREAD TAKE-UP MECHANISM



F. CSA-1500N 收線機構 THREAD TAKE-UP MECHANISM

零件號碼 Parts No.	零件名稱	Name of Parts	件數 Q'TY	備註 Remarks
EP1035-0A	壓線盤	Supplementary Tension Disc	2	
EP1036-0A	彈簧	Supplementary Tension Spring	1	
EP1037-0C	調整螺絲棒	Tension Post	1	
EP5218-0A	線掛	Looper Thread Eyelet	1	
EP5335-0A	套環	Collar	1	
EP5336-0A	針擋軸	Needle Guard Driving Shaft	1	
EP5337-0A	導針器	Needle Guard (Rear)	1	
EP5339-0A	固定板	Supporting Plate Stay (Lower)	1	
EP5341-0A	固定板	Supporting Plate Stay (Upper)	1	
EP5343-0C	支持板	Supporting Plate	1	
EP5346-0A	線掛	Thread Take-up Eyelet	2	
EP5354-0A	線導板座	Cast-off Plate Bracket	1	
EP5356-0C	線導板	Cast-off Plate	1	
EP5357-0A	銷	Pin	1	
EP5358-0A	彈簧	Supplementary Tension Spring	2	
EP5359-0A	彈簧	Supplementary Tension Spring	1	
RE000060	扣環	Retaining Ring	1	
WA030007	平墊圈	Washer	1	
WA039001	平墊圈	Washer	2	
WH208007	平墊圈	Washer	1	
YA025270	銷	Pin	1	
ZMB03507	螺絲	Screw (M3.5-0.6×4.5)	1	
ZMB04011	螺絲	Screw (M4-0.7×8)	1	
ZMB04016	螺絲	Screw (M4-0.7×10)	2	
ZMC03004	螺絲	Screw (M3-0.5×6)	2	
ZMH03001	螺絲	Screw (M3-0.5)	4	
JZMH03002	螺絲	Screw (M3-0.5×3)	2	
ZSB08042	螺絲	Screw (1/8-44×3.8)	2	
ZSB09030	螺絲	Screw (9/64-40×7.5)	1	
ZSD09002	螺絲	Screw (9/64-40×6.5)	1	
ZSN11002	螺帽	Adjusting Nut	1	

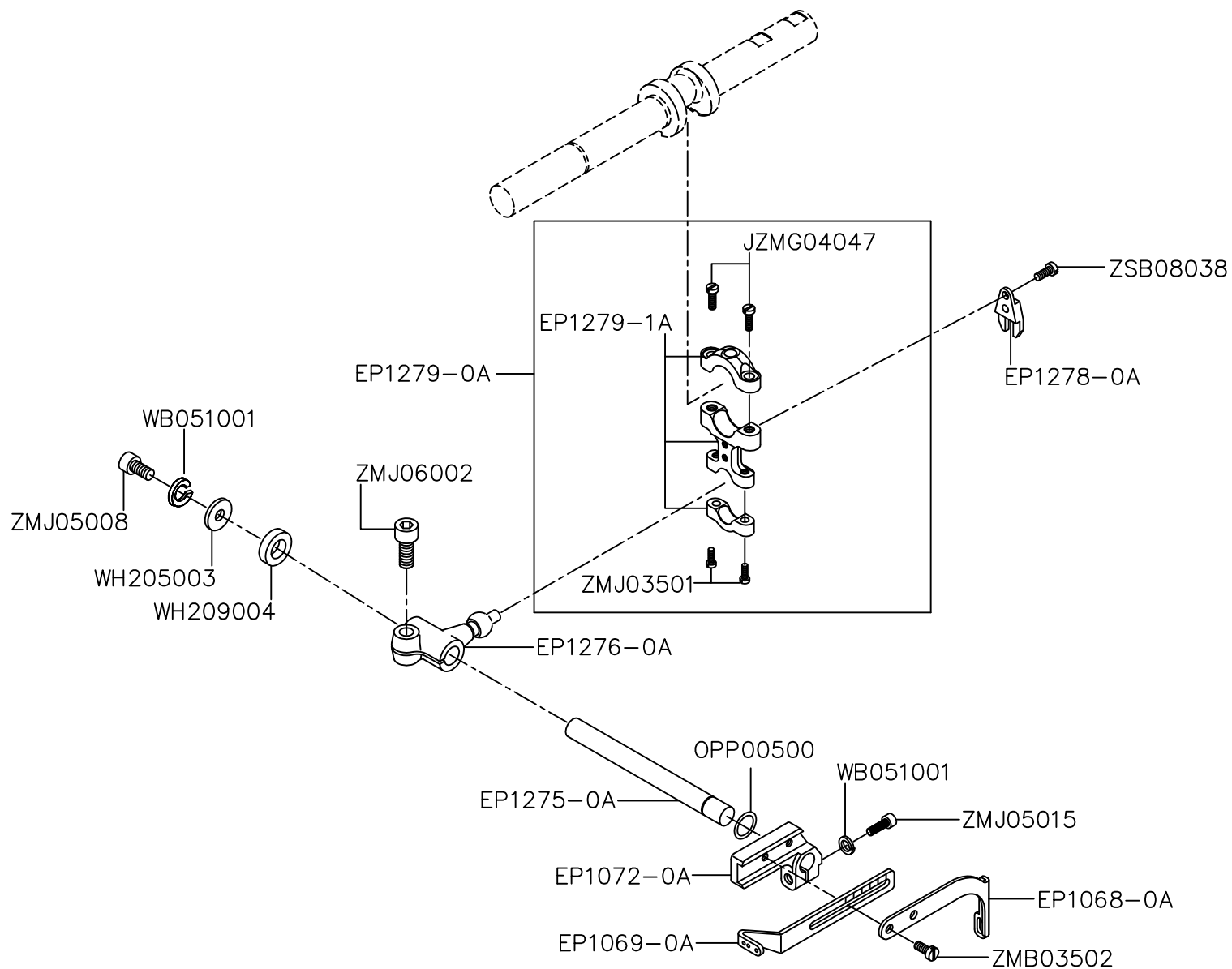
G. CSA-1500N 上軸機構 UPPER SHAFT MECHANISM



G. CSA-1500N 上軸機構 UPPER SHAFT MECHANISM

零件號碼 Parts No.	零件名稱	Name of Parts	件數 Q'TY	備註 Remarks
BB6202VV	滾珠軸承	Ball Bearing	2	
BB6204VVC	滾珠軸承	Ball Bearing	2	
EP1015-1A	圓形銘板	Handwheel Mark	1	
EP1100-1A	曲軸	Upper Crankshaft	1	
EP1102-0A	上軸套管	Handwheel Adapter	1	
EP1103-0A	上軸套管	Handwheel Adapter	1	
EP1105-1A	手輪	Handwheel	1	
EP1271-0A	連結器	Upper Shaft Joint	1	
EP1273-0A	平衡塊	counterweight (Small)	1	
EP1346-0A	齒型皮帶輪	Upper Shaft Pulley	1	
EP5396-0A	套筒	Oil Sleeve	1	
FG1345-0A	齒型皮帶	Timing Belt	1	
RB20015B	外扣環	Retaining Ring	1	
XA300180	油棉	Oil Wick	1	
ZMB04008	螺絲	Screw (M4-0.7×6)	1	
ZMB04011	螺絲	Screw (M4-0.7×8)	2	
ZMH06003	螺絲	Screw (M6-1×8)	1	
ZMH06008	螺絲	Screw (M6-1×6)	9	
ZMH06011	螺絲	Screw (M6-1×8)	3	

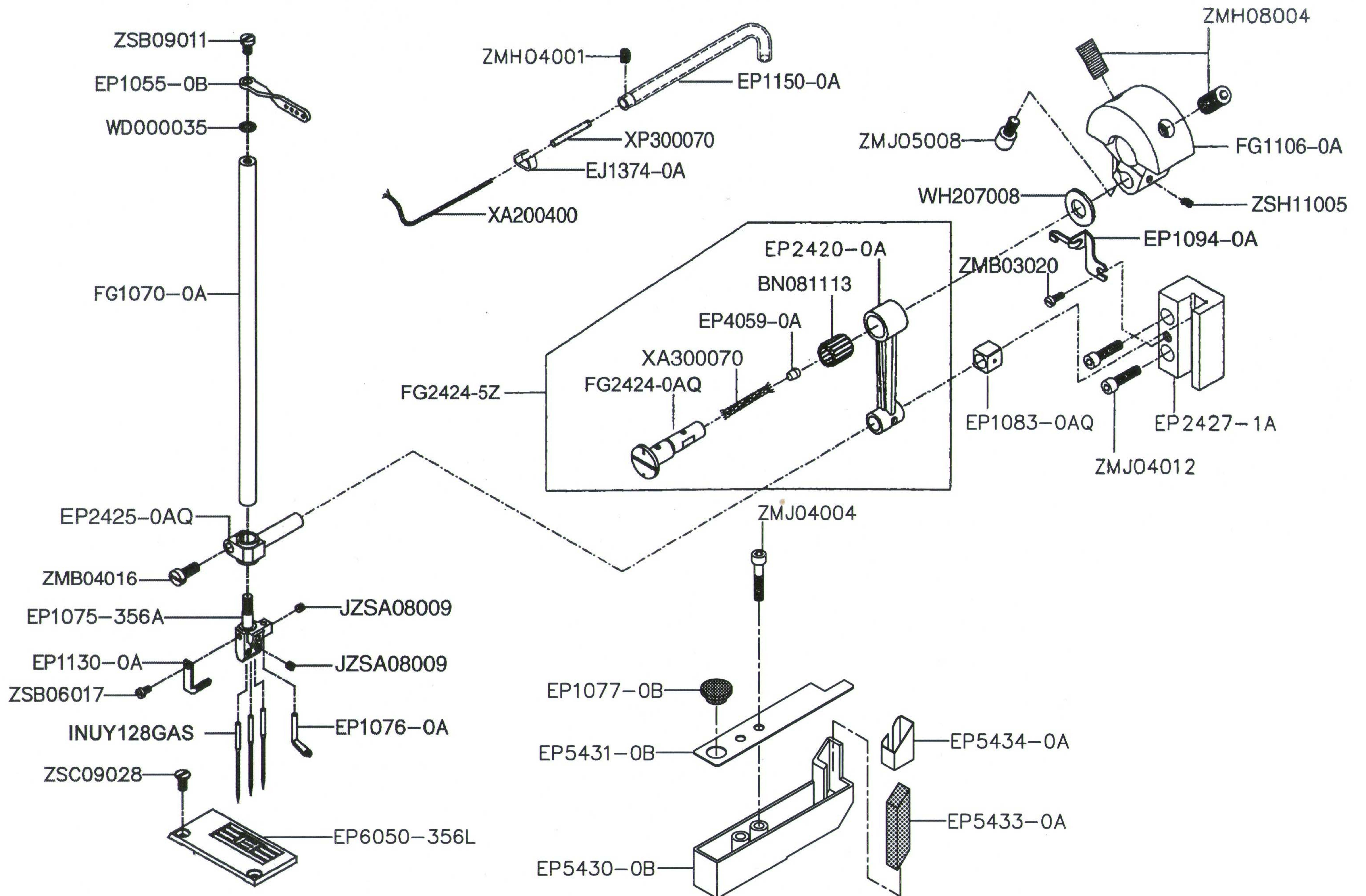
H. CSA-1500N 針線收線機構 NEEDLE THREAD TAKE-UP MECHANISM



H. CSA-1500N 針線收線機構 NEEDLE THREAD TAKE-UP MECHANISM

零件號碼 Parts No.	零件名稱	Name of Parts	件數 Q'TY	備註 Remarks
EP1068-0A	緊線具	Top Cover Thread Take-up	1	
EP1069-0A	線掛	Needle Thread Take-up	1	
EP1072-0A	固定架	Bracket	1	
EP1275-0A	軸	Driving Shaft	1	
EP1276-0A	驅動腕	Driving Lever	1	
EP1278-0A	導板	Guide Fork	1	
EP1279-0A	球接頭組	Connecting Rod, Complete Set	1	
EP1279-1A	球接頭	Connecting Rod	1	
OPP00500	銷	Pin	1	
WB051001	彈簧墊圈	Spring Washer	2	
WH205003	平墊圈	Washer	1	
WH209004	平墊圈	Spacer	1	
ZMB03502	螺絲	Screw (M3.5-0.6×8)	2	
ZMJ05015	螺絲	Screw (M5-0.8×14)	1	
ZMJ05008	螺絲	Screw (M5-0.8×10)	1	
ZMJ06002	螺絲	Screw (M6-1×15)	1	
ZSB08038	螺絲	Screw (1/8-44×7.9)	2	
ZMJ03501	螺絲	Screw (9/64-40×10.3)	2	
JZMG04047	螺絲	Screw (11/64-40×14)	2	

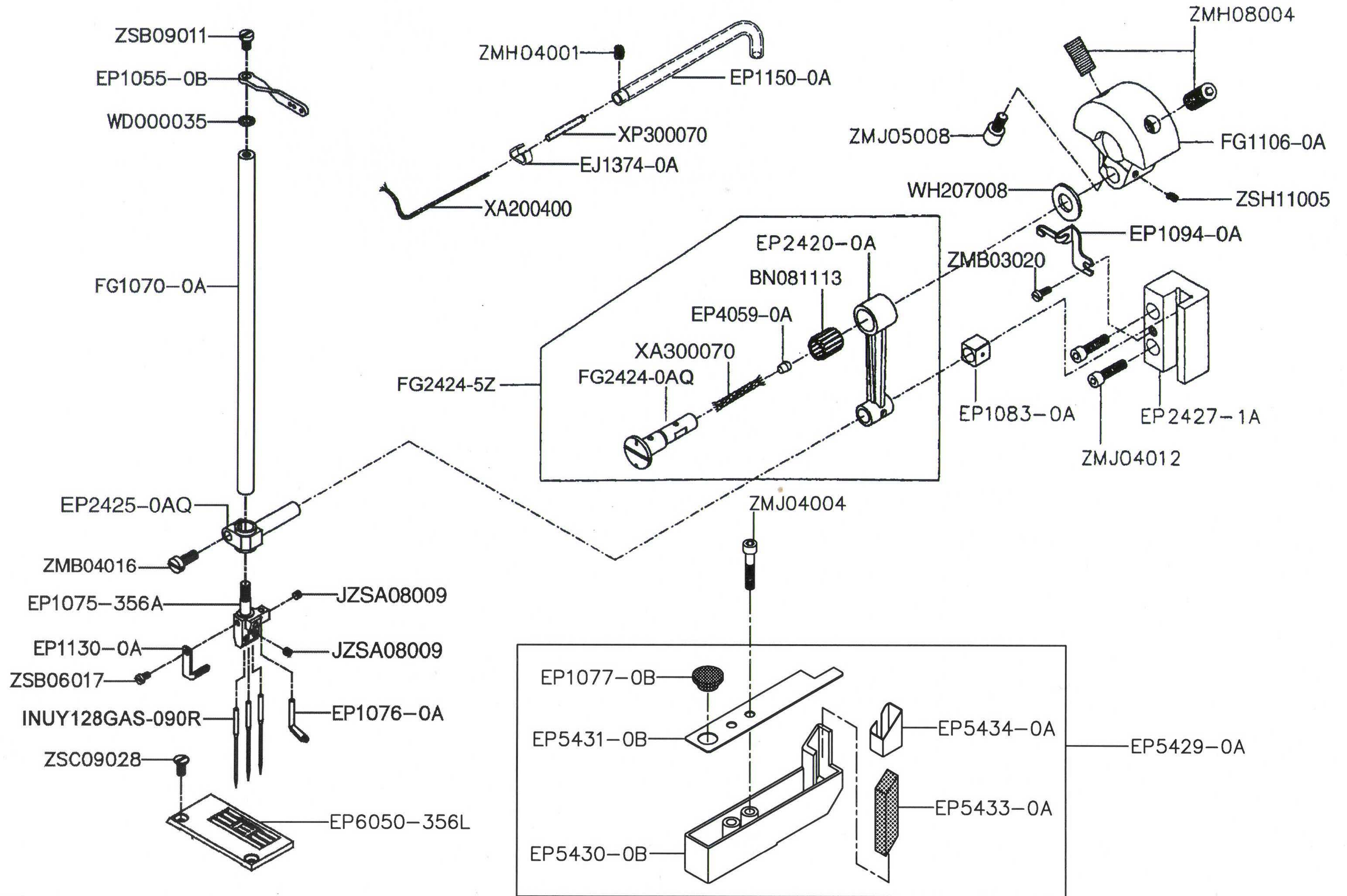
I. CSA-1500N 針棒機構 NEEDLE BAR MECHANISM



I. CSA-1500N 針棒機構 NEEDLE BAR MECHANISM

零件號碼 Parts No.	零件名稱	Name of Parts	件數 Q'TY	備註 Remarks
BN081113	滾針軸承	Roller Bearing	1	
EP1075-356A	針鑷	Needle Clamp	1	
EP1076-0A	線掛	Top Cover Thread Eyelet	1	
EP1077-0B	塞子	Seal Plug	1	
EP1083-0AQ	滑塊	Slide Block	1	
EP1130-0A	線掛	Needle Thread Eyelet	1	
EP1055-0B	線掛	Needle Bar Thread Eyelet	1	
EP1150-0A	給油管	Oil Pipe	1	
EP1374-0A	夾線條	Clip	1	
EP1094-0A	油心支架	Bracket	1	
EP5429-0A	油壺組	HR Device, Complete Set	1	
EP5430-0B	油壺	HR Container	1	
EP5431-0B	油壺蓋	HR Container Lid	1	
EP5433-0A	油棉	HR Felt	1	
EP5434-0A	油壺蓋套	HR Felt Guard	1	
EP6050-356L	針板	Needle Plate	1	
FG1070-0A	針棒	Needle Bar	1	
FG1106-0A	凸輪	Counterweight	1	
FG2424-0A	連桿銷	Connecting Rod Pin	1	
FG2424-5Z	連桿銷組	Connecting Rod Pin	1	
INUY090R	針	Needle	3	
WA080009	平墊圈	Connecting Rod Ring	1	
WD000035	平墊圈	Washer	1	
WH207008	平墊圈	Washer	1	
XA300070	油棉	Oil Wick	1	
XA200400	油棉	Oil Wick	1	
XP300070	油管	Oil Pipe	1	
ZMB03020	螺絲	Screw (M4-0.5×5)	1	
ZMB04016	螺絲	Screw (M4-0.7×10)	1	
ZMH04001	螺絲	Screw (M4-0.7×4)	1	
ZMH08004	螺絲	Screw (M8-1×16)	2	
ZMJ04012	螺絲	Screw (M4-0.7×16)	2	

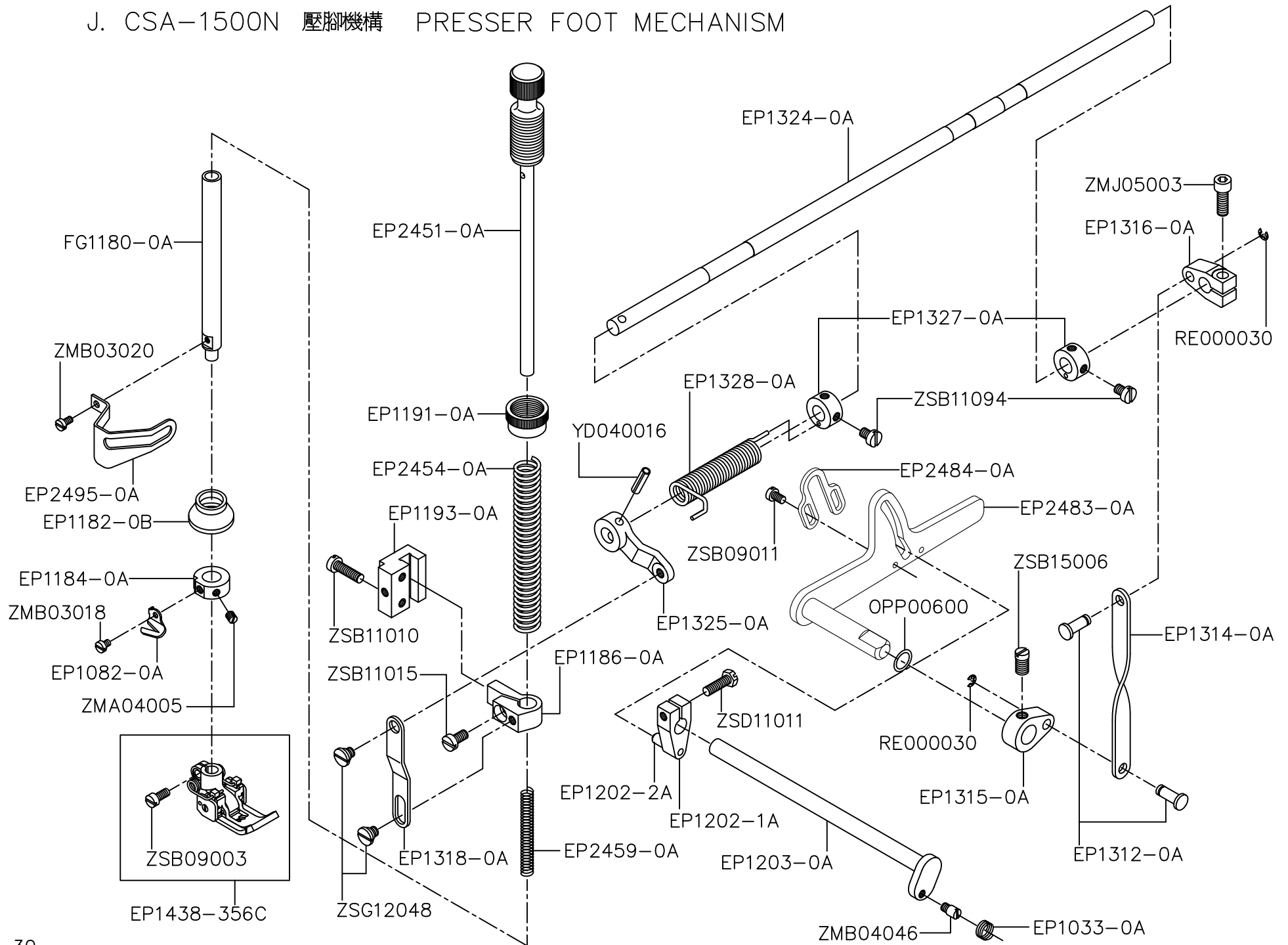
I. CSA-1500N 針棒機構 NEEDLE BAR MECHANISM



I. CSA-1500N 針棒機構 NEEDLE BAR MECHANISM

零件號碼 Parts No.	零件名稱	Name of Parts	件數 Q'TY	備註 Remarks
ZMJ04004	螺絲	Screw (M4-0.7)	2	
ZMJ05016	螺絲	Screw (M5-0.8x10)	1	
JZSA08009	螺絲	Screw (1/8-44x2.4)	4	
ZSB06017	螺絲	Screw (3/32-56x4)	1	
ZSB09011	螺絲	Screw (9/64-40x5.6)	1	
ZSC09028	螺絲	Screw (9/64-40x7)	2	
ZSH11005	螺絲	Screw (9/64-40x7)	1	

J. CSA-1500N 壓腳機構 PRESSER FOOT MECHANISM

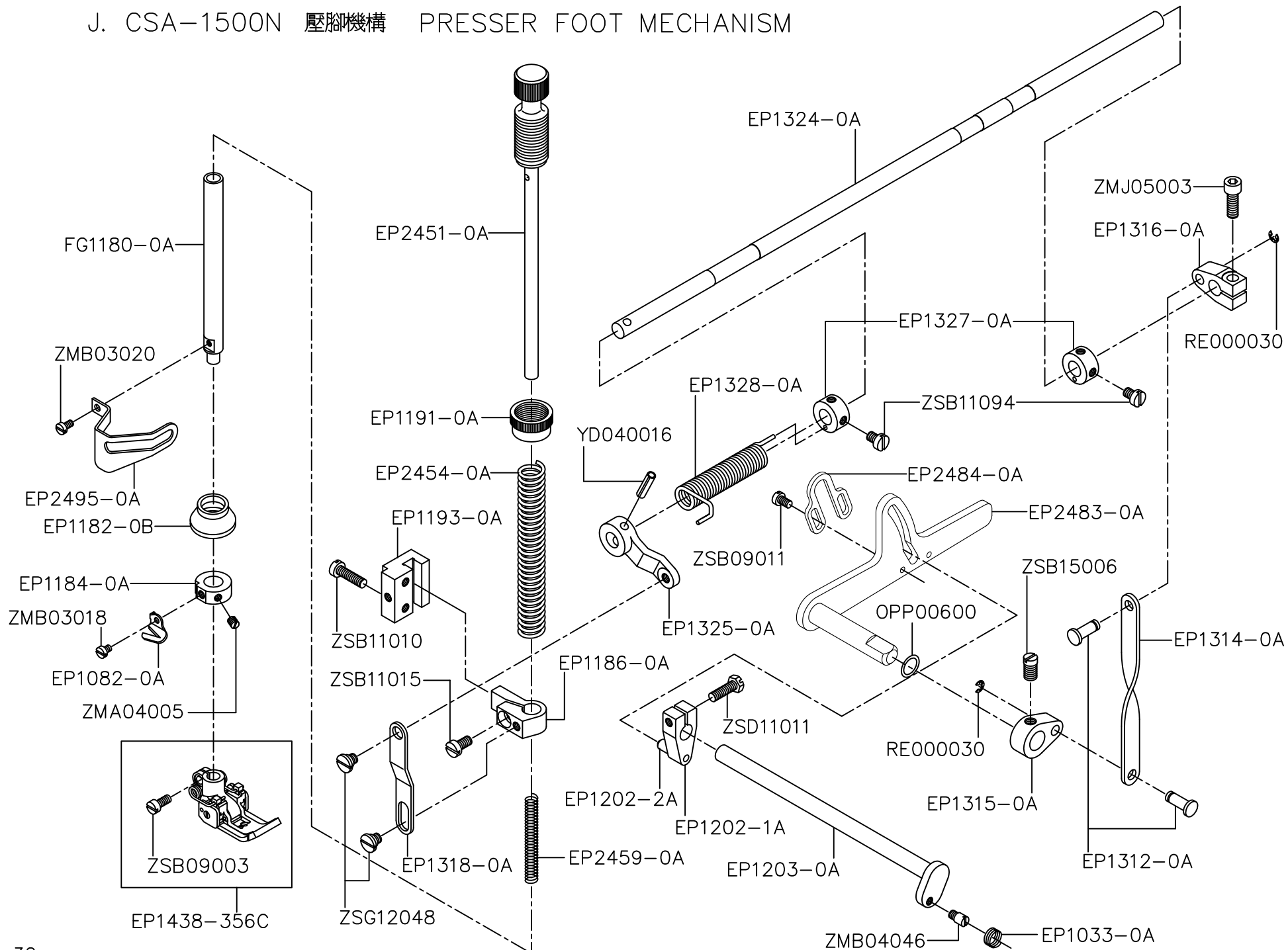


From the library of: Superior Sewing Machine & Supply LLC

J. CSA-1500N 壓腳機構 PRESSER FOOT MECHANISM

零件號碼 Parts No.	零件名稱	Name of Parts	件數 Q'TY	備註 Remarks
EP1033-0A	彈簧	Swing-proof Spring	1	
EP1082-0A	切刀	Thread Chain Cutting Knife	1	
EP1182-0B	防油圈	Oil Protector Ring	1	
EP1184-0A	套環	Collar	1	
EP1186-0A	壓棒定位器	Presser Bar Connecting Bracket	1	
EP1191-0A	螺母	Lock Nut	1	
EP1193-0A	滑槽	Presser Bar Guide	1	
EP1202-1A	搖動臂	Tension Release Lever	1	
EP1202-2A	搖動臂	Tension Release Lever	1	
EP1203-0A	擺動軸	Tension Release Shaft	1	
EP1312-0A	銷	Connecting Pin	2	
EP1314-0A	連接片	Connecting Plate	1	
EP1315-0A	搖臂	Lifter Lever (Small)	1	
EP1316-0A	搖臂	Intermediate Lever	1	
EP1318-0A	吊升連接片	Lifter Link	1	
EP1324-0A	軸	Lifter Shaft	1	
EP1325-0A	搖臂	Lifter Link Lever	1	
EP1327-0A	套環	Collar	2	
EP1328-0A	彈簧	Lifter Spring	1	
EP1438-356C	押腳組	Lifter Spring	1	
EP2451-0A	彈簧導桿	Presser Spring Regulator	1	
EP2454-0A	彈簧	Presser Bar Spring (Outer)	1	
EP2459-0A	彈簧	Presser Bar Spring (Inner)	1	
EP2483-0A	控制臂	Lifter Lever	1	
EP2484-0A	擋板	Lifter Lever Stop	1	
EP2495-0A	保護罩	Finger Guard	1	
FG1180-0A	壓棒	Presser Bar	1	
RE000030	E型扣環	Retainer Ring	2	
OPP00600	扣環	Ring	1	
YD040016	彈簧銷	Fastener Pin	1	
ZMA04005	螺絲	Screw (M4-0.7x4)	2	
ZMB03018	螺絲	Screw (M3-0.5x3.5)	1	
ZMB03020	螺絲	Screw (M3-0.5x5)	1	

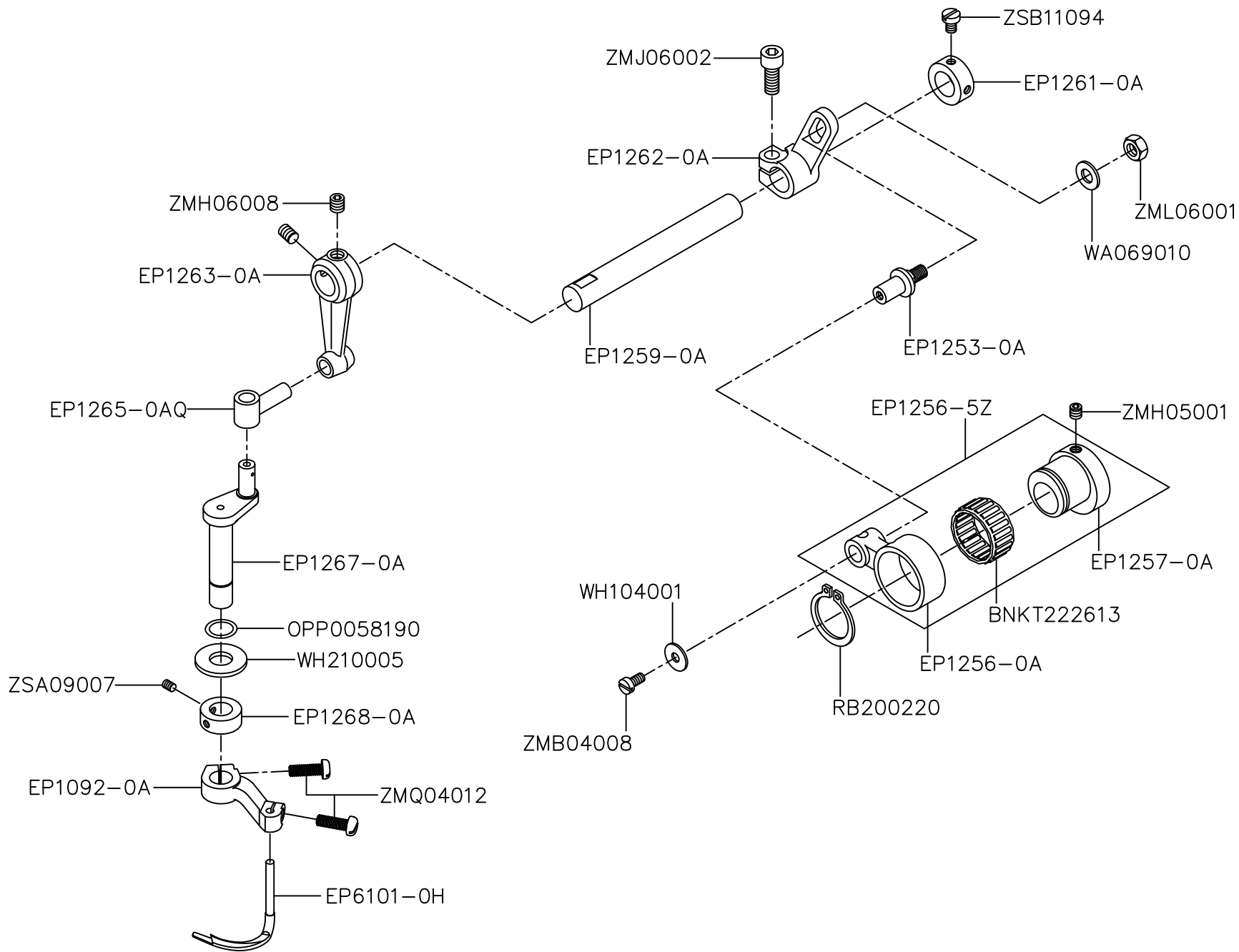
J. CSA-1500N 壓腳機構 PRESSER FOOT MECHANISM



J. CSA-1500N 壓腳機構 PRESSER FOOT MECHANISM

零件號碼 Parts No.	零件名稱	Name of Parts	件數 Q'TY	備註 Remarks
ZMB04046	螺絲	Screw (M4-0.7×3.8)	1	
ZMJ05003	螺絲	Screw (M5-0.8×15)	1	
ZSB09003	螺絲	Screw (9/64-40×10)	1	
ZSB09011	螺絲	Screw (9/64-40×5.6)	2	
ZSB11010	螺絲	Screw (11/64-40×16)	2	
ZSB11015	螺絲	Screw (11/64-40×8.3)	1	
ZSB11094	螺絲	Screw (11/64-40×5.5)	4	
ZSB15006	螺絲	Screw (15/64-28×9.5)	1	
ZSD11011	螺絲	Screw (11/64-40×14.5)	1	
ZSG12048	螺絲	Screw (3/16-32×2.2)	2	

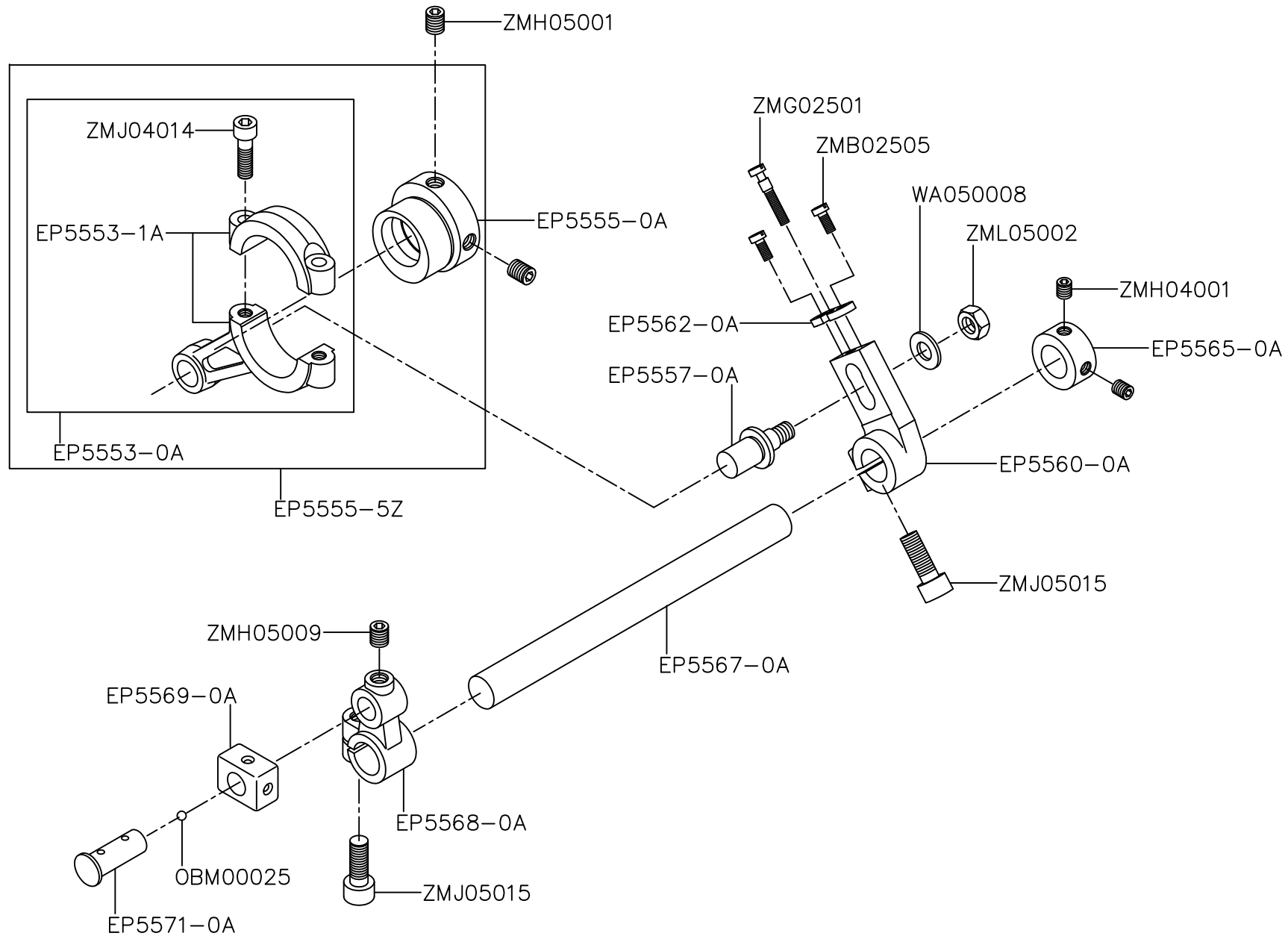
K. CSA-1500N 裝飾線機構 SPREADER MECHANISM



K. CSA-1500N 裝飾線機構 SPREADER MECHANISM

零件號碼 Parts No.	零件名稱	Name of Parts	件數 Q'TY	備註 Remarks
BNKT222613	滾針軸承	Roller Bearing	1	
EP1092-0A	鈎線具座	Spreader Holder	1	
EP1253-0A	搖臂銷	Adjusting Lever Pin	1	
EP1256-0A	偏心連桿	Connecting Rod	1	
EP1257-0A	鈎線偏心	Eccentric	1	
EP1257-0Z	偏心連桿組	Connecting Rod, Complete Set	1	
EP1259-0A	軸	Driving Shaft	1	
EP1261-0A	套環	Collar	1	
EP1262-0A	搖臂	Adjusting Lever	1	
EP1263-0A	連桿	Rocking Arm	1	
EP1265-0A	連桿銷	Rocking Pin	1	
EP1268-0A	套環	Collar	1	
EP6101-0H	上彎針	Spreader	1	
EP1267-0A	擺動軸	Spreader Bar	1	
RB200220	外扣環	Retainer Ring	1	
WA069010	平墊圈	Washer	1	
WH104001	平墊圈	Washer	1	
WH210005	平墊圈	Bushing Ring	1	
OPP00600	扣環	Ring	1	
ZMB04008	螺絲	Screw (M4-0.7×6)	1	
ZMQ04012	螺絲	Screw (M4-0.7×12)	2	
ZMH05001	螺絲	Screw (M5-0.8×5)	2	
ZMH06008	螺絲	Screw (M6-1×6)	2	
ZMJ06002	螺絲	Screw (M6-1×15)	1	
ZML06001	螺帽	Nut (M6-1)	1	
ZSB11094	螺絲	Screw (11/64-40×5.5)	2	
ZSA09007	螺絲	Screw (9/64-40×4)	2	

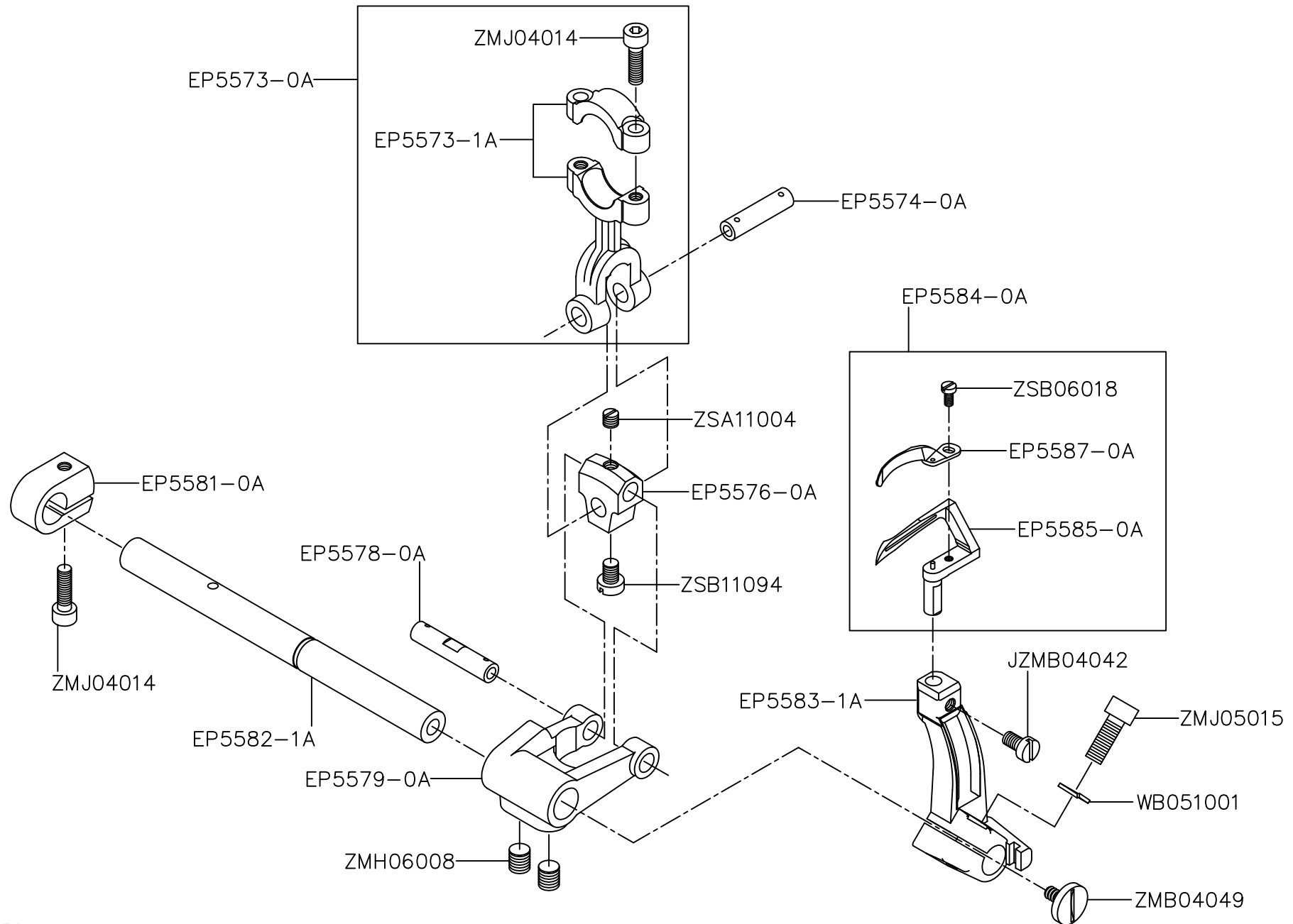
L. CSA-1500N 勾針驅動機構(1) LOOPER DRIVING MECHSNISM(1)



L. CSA-1500N 勾針驅動機構(1) LOOPER DRIVING MECHANISM(1)

零件號碼 Parts No.	零件名稱	Name of Parts	件數 Q'TY	備註 Remarks
EP5553-0A	下勾針擺動連桿組	Looper Rocker Connecting Rod, C. Set	1	
EP5553-1A	下勾針擺動連桿	Looper Rocker Connecting Rod	1	
EP5555-0A	偏心襯套	Looper Rocker Eccentric	1	
EP5555-5Z	偏心襯套組	Looper Rocker Eccentric	1	
EP5557-0A	連桿銷	Connecting Rod Pin	1	
EP5560-0A	下勾針前後腕	Looper Rocker Lever	1	
EP5562-0A	前後調整導板	Looper Rocker Adjusting Guide Plate	1	
EP5565-0A	固定環	Collar	1	
EP5567-0A	連接軸	Looper Rocker Shaft	1	
EP5568-0A	下勾針擺動腕	Looper Rocker Arm	1	
EP5569-0A	前後滑塊	Looper Slide Block	1	
EP5571-0A	滑塊轉軸	Looper Slide Block Pin	1	
OBM00025	鋼珠	Seal Plug	1	
WA050008	平墊圈	Washer	1	
ZMB02505	螺絲	Screw (M2.5-0.45x6)	2	
ZMG02501	螺絲	Screw (M2.5-0.45x10.5)	1	
ZMH04001	螺絲	Screw (M4-0.7x4)	2	
ZMH05001	螺絲	Screw (M5-0.8x5)	2	
ZMH05009	螺絲	Screw (M5-0.8x5)	1	
ZMJ04014	螺絲	Screw (M4-0.7x14)	2	
ZMJ05015	螺絲	Screw (M5-0.8x14)	2	
ZML05002	螺帽	Nut (M5-0.8)	1	

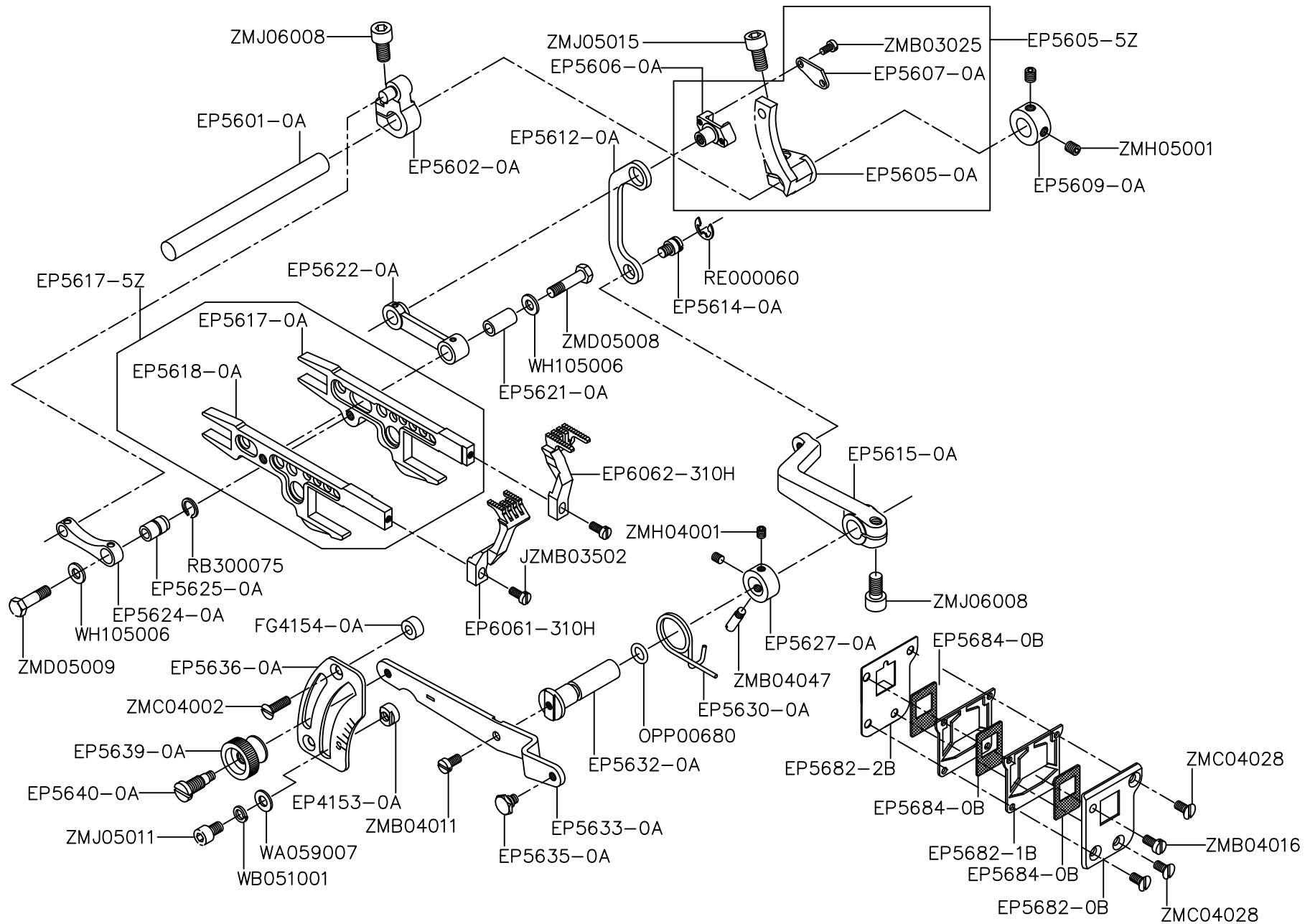
M. CSA-1500N 勾針驅動機構(2) LOOPER DRIVING MECHSNISM(2)



M. CSA-1500N 勾針驅動機構(2) LOOPER DRIVING MECHANISM(2)

零件號碼 Parts No.	零件名稱	Name of Parts	件數 Q'TY	備註 Remarks
EP5573-0A	下勾針連桿組	Looper Connecting Rod, C. Set	1	
EP5573-1A	下勾針連桿	Looper Connecting Rod	1	
EP5574-0A	連桿銷	Link Pin (Short)	1	
EP5576-0A	連結塊	Looper Driving Lever Link	1	
EP5578-0A	連桿銷	Link Pin (Long)	1	
EP5579-0A	下勾針傳動連桿	Looper Driving Lever	1	
EP5581-0A	鎖緊環	Collar	1	
EP5582-1A	下勾針傳動軸	Looper Driving Shaft	1	
EP5583-1A	下勾針固定臂	Looper Holder	1	
EP5584-0A	下勾針組	Looper, C. Set	1	
EP5585-0A	下勾針	Looper	1	
EP5587-0A	針護板	Needle Guard (Front)	1	
WB051001	彈簧墊圈	Spring Washer	1	
JZMB04042	螺絲	Screw (M4-0.7x7)	1	
ZMB04049	螺絲	Screw (M4-0.7)	1	
ZMH06008	螺絲	Screw (M6-1x6)	2	
ZMJ04014	螺絲	Screw (M4-0.7x14)	3	
ZMJ05015	螺絲	Screw (M5-0.8x14)	1	
ZSA11004	螺絲	Screw (11/64-40x3.3)	1	
ZSB06018	螺絲	Screw (3/32-56x4.2)	1	
ZSB11094	螺絲	Screw (11/64-40x5.5)	1	

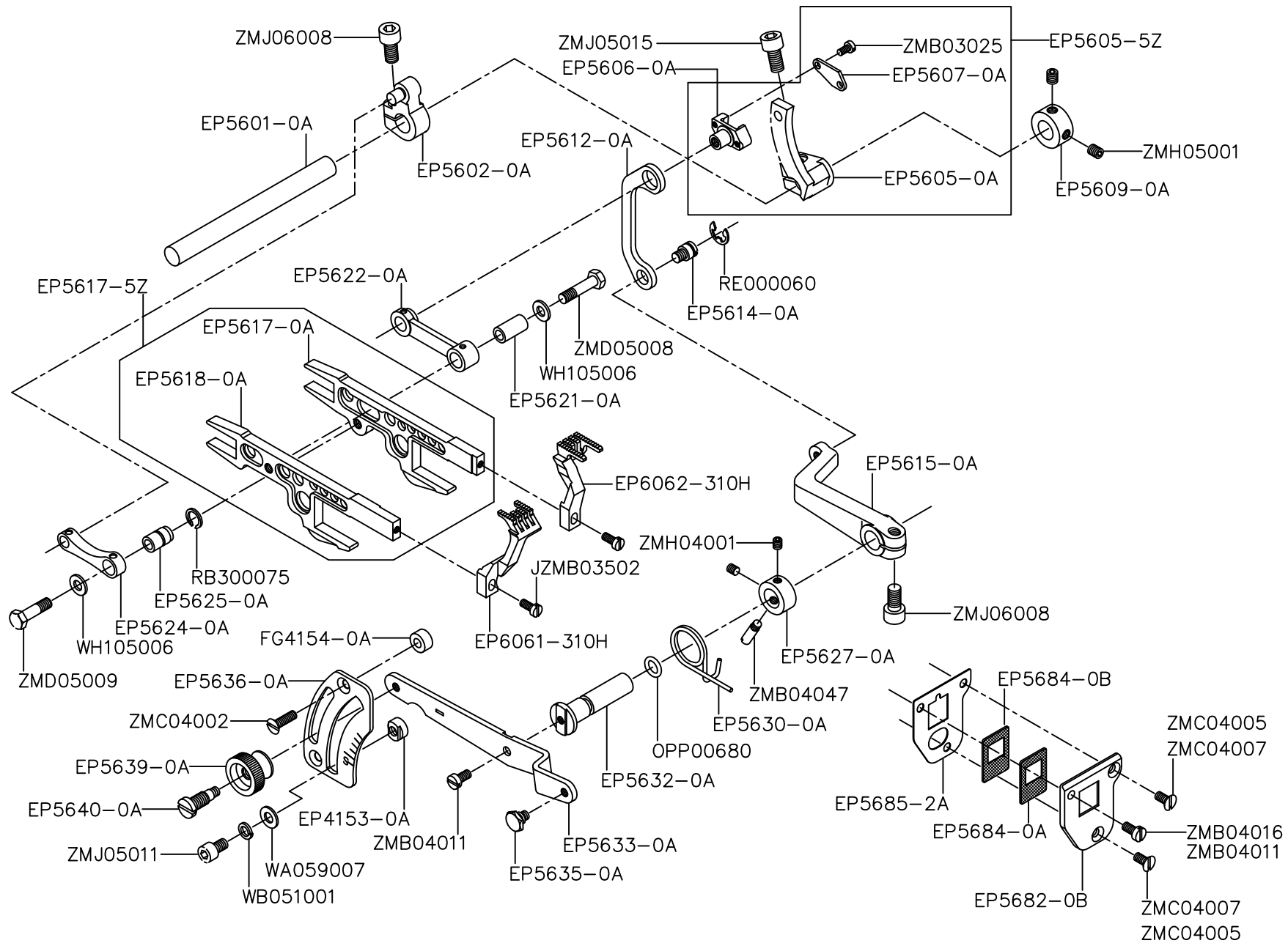
N. CSA-1500N 送料控制機構 FEED DRIVING CONTROL MECHANISM



N. CSA-1500N 送料控制機構 FEED DRIVING CONTROL MECHANISM

零件號碼 Parts No.	零件名稱	Name of Parts	件數 Q'TY	備註 Remarks
EP4153-0A	螺帽 -----	Control Lever Stop -----	2	
FG4154-0A	墊環 -----	Spacer -----	2	
EP5601-0A	送料桿傳動軸 -----	Feed Bar Driving Shaft -----	1	
EP5602-0A	主送料連桿 -----	Main Feed Bar Lever -----	1	
EP5605-0A	前送差動腕 -----	Differential Rocker -----	1	
EP5605-5Z	前送差動腕組 -----	Differential Rocker -----	1	
EP5606-0A	差動調整滑塊 -----	Differential Regulating Slider -----	1	
EP5607-0A	滑塊蓋板 -----	Differential Regulating Slider Cap -----	1	
EP5609-0A	固定環 -----	Collar -----	1	
EP5612-0A	滑塊連桿 -----	Slider Link -----	1	
EP5614-0A	滑塊連桿銷 -----	Slider Link Pin -----	1	
EP5615-0A	差動桿 -----	Differential Lever (Inner) -----	1	
EP5617-5Z	送料桿組 -----	Feed Bar, C. Set -----	1	
EP5617-0A	主送料桿 -----	Main Feed Bar -----	1	
EP5618-0A	差動送料桿 -----	Differential Feed Bar -----	1	
EP5621-0A	襯套 -----	Connecting Bushing -----	1	
EP5622-0A	差動送料連桿 -----	Differential Feed Bar Connector -----	1	
EP5624-0A	主送料連桿 -----	Main Feed Bar Connector -----	1	
EP5625-0A	連桿襯套 -----	Connector Bushing -----	1	
EP5627-0A	固定環 -----	Collar -----	1	
EP5630-0A	差動桿彈簧 -----	Differential Lever Spring -----	1	
EP5632-0A	差動連桿軸 -----	Differential Lever Shaft -----	1	
EP5633-0A	調節臂 -----	Differential Lever (Left) -----	1	
EP5635-0A	鏈掛螺絲 -----	Screw (11/64-40x3.2) -----	1	
EP5636-0A	刻度板 -----	Differential Feed Graduation -----	1	
EP5639-0A	調整螺帽 -----	Adjusting Nut -----	1	
EP5640-0A	調整螺絲 -----	Adjusting Screw (1/4-40x11, 11/64-40x4) -----	1	
EP5682-1B	導片 -----	Feed Bar Shield Holder -----	2	
EP5682-0B	導片 -----	Feed Bar Shield Holder -----	1	
EP5684-0B	墊片 -----	Feed Bar Shield -----	3	

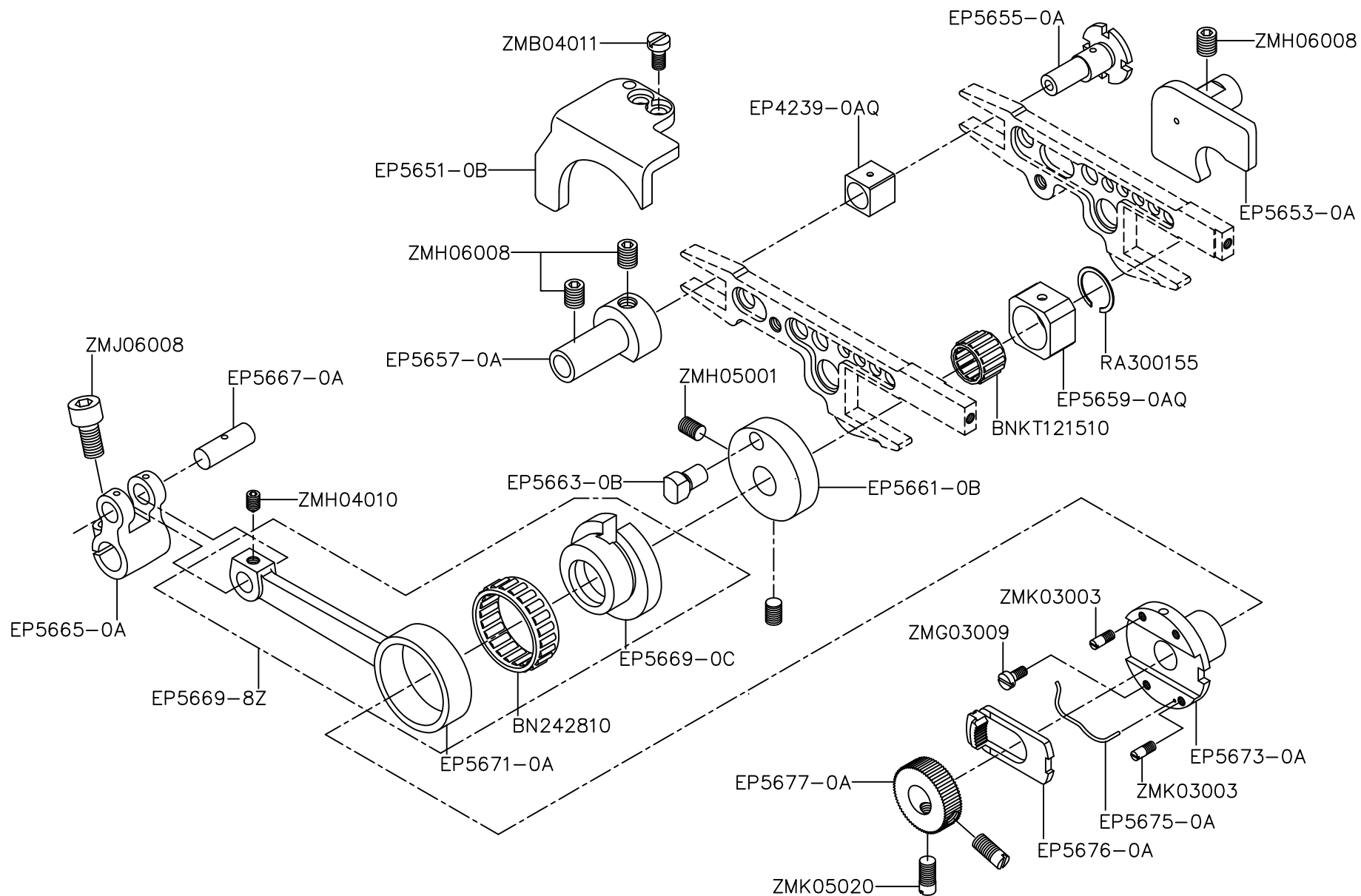
N. CSA-1500N 送料控制機構 FEED DRIVING CONTROL MECHANISM



N. CSA-1500N 送料控制機構 FEED DRIVING CONTROL MECHANISM

零件號碼 Parts No.	零件名稱	Name of Parts	件數 Q'TY	備註 Remarks
EP6061-310H	送料齒	Differential Feed Dog	1	
EP6062-310H	送料齒	Differential Feed Dog	1	
OPP00680	O型環	O-ring (P7)	1	
RB300075	C型扣環	Retaining Ring	1	
RE000060	E型扣環	Retaining Ring	1	
WH105006	平墊圈	Washer	2	
WA059007	平墊圈	Washer	2	
WB051001	彈簧墊圈	Spring Washer	2	
ZMB03025	螺絲	Screw (M3-0.5)	2	
ZMB03502	螺絲	Screw (M3.5-0.6x8)	2	
ZMB04016	螺絲	Screw (M4-0.7x8)	1	
ZMB04047	螺絲	Screw (M4-0.7x3.5)	1	
ZMC04002	螺絲	Screw (M4-0.7x14)	2	
ZMC04028	螺絲	Screw (M4-0.7)	2	
ZMD05008	螺絲	Screw (M5-0.5x6)	1	
ZMD05009	螺絲	Screw (M5-0.5x6)	1	
ZMH04001	螺絲	Screw (M4-0.7x4)	2	
ZMH05001	螺絲	Screw (M5-0.8x5)	2	
ZMJ05011	螺絲	Screw (M5-0.8x8)	2	
ZMJ05015	螺絲	Screw (M5-0.8x14)	3	

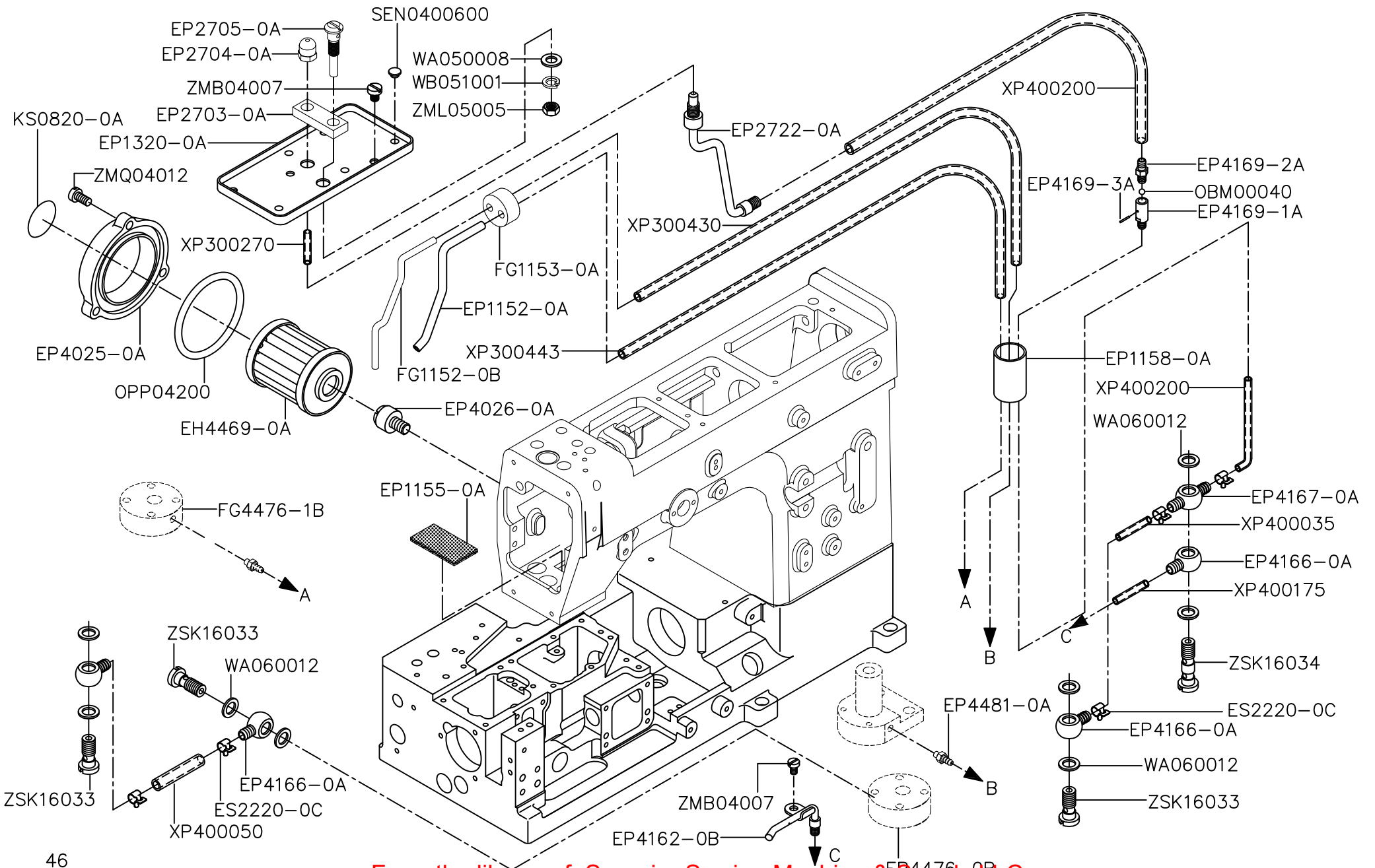
O. CSA-1500N 送料機構 FEED DRIVING MECHANISM



O. CSA-1500N 送料機構 FEED DRIVING MECHANISM

零件號碼 Parts No.	零件名稱	Name of Parts	件數 Q'TY	備註 Remarks
BN242810	滾針軸承	Roller Bearing	1	
BNKT121510	滾針軸承	Roller Bearing	1	
EP4239-0AQ	角驅	Feed Lift Block (Rear)	1	
EP5651-0B	導板(左)	Feed Bar Guide (Left)	1	
EP5653-0A	導板(右)	Feed Bar Guide (Right)	1	
EP5655-0A	送料銷	Feed Adjusting Pin	1	
EP5657-0A	後送料軸	Feed Bar Guide (Rear)	1	
EP5659-0AQ	角驅	Feed Bar Block (Front)	1	
EP5661-0B	送料偏心	Eccentric Pin Holder	1	
EP5663-0B	滑塊	Feed Dog Eccentric Pin	1	
EP5665-0A	送料軸腕	Feed Bar Driving Shaft Lever	1	
EP5667-0A	銷	Connecting Rod Pin	1	
EP5669-0C	送料偏心	Feed Dog Eccentric	1	
EP5669-8Z	送料偏中心组	Feed Dog Eccentric	1	
EP5671-0A	送料連桿	Feed Dog Driving Connecting Rod	1	
EP5673-0A	送料調節輪	Feed Dog Regulating Eccentric	1	
EP5675-0A	送料調節板彈簧	Feed Dog Regulating Plate Spring	1	
EP5676-0A	送料調節板	Feed Dog Regulating Plate	1	
EP5677-0A	送料調節齒輪	Feed Dog Regulating Gear	1	
RA300155	C型扣環	Retaining Ring	1	
ZMH04010	螺絲	Screw (M4-0.7x4.5)	1	
ZMB04011	螺絲	Screw (M4-0.7x8)	2	
ZMH05001	螺絲	Screw (M5-0.8x5)	2	
ZMH06008	螺絲	Screw (M6-1x6)	3	
ZMJ06008	螺絲	Screw (M6-1x12)	1	
ZMG03009	螺絲	Screw (M3-0.5)	1	
ZMK03003	螺絲	Screw (M3-0.5x4)	3	
ZMK05020	螺絲	Screw (M5-0.8x8)	2	

P. CSA-1500N 潤滑系統(1) LUBRICATING SYSTEM(1)

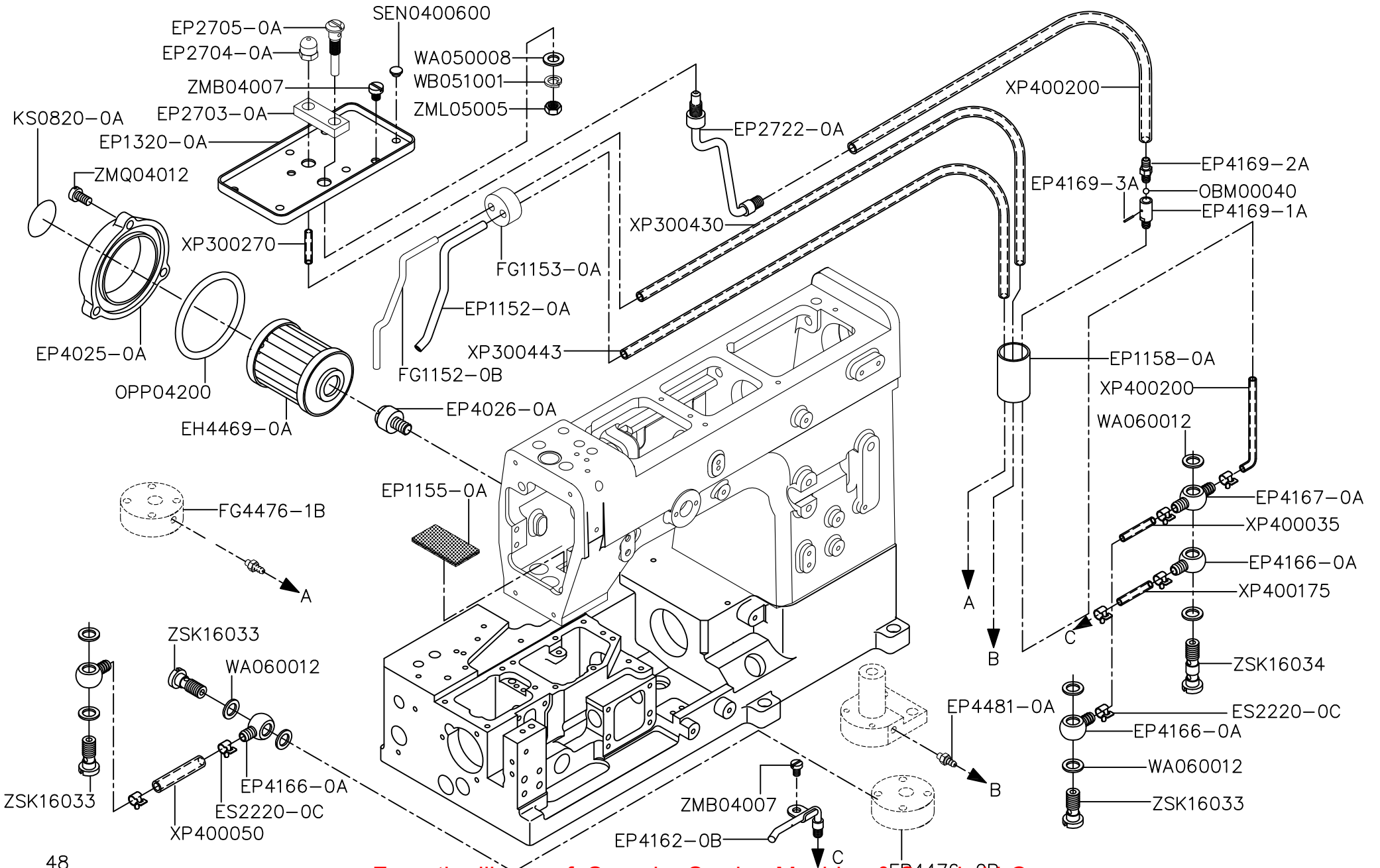


From the library of: Superior Sewing Machine & Supply LLC

P. CSA-1500N 潤滑系統 (一) LUBRICATING SYSTEM (1)

零件號碼 Parts No.	零件名稱	Name of Parts	件數 Q'TY	備註 Remarks
EH4469-0A	油過濾器	Oil Filter	1	
EP1152-0A	油管	Suction Pipe	1	
EP1155-0A	油棉	Felt	1	
EP1158-0A	排油管	Draining Pipe	1	
EP1320-0A	油盤	Oil Receiver	1	
EP2703-0A	給油塊	Lubricant Guiding Block	1	
EP2704-0A	噴油嘴	Top Nozzle Cap	1	
EP2705-0A	油量調節軸	Oil Adjusting Screw	1	
EP2722-0A	噴油管組	Oil Pipe Unit	1	
EP4025-0A	濾網蓋	Oil Filter Cap	1	
EP4026-0A	接頭	Oil Filter Connector	1	
EP4162-0b	接頭	Oil Tube Joint, Two Way	1	
EP4167-0A	接頭	Oil Tube Joint, Two Way	1	
EP4169-1A	逆止閥	Non-return Valve Unit	1	
EP4169-2A	接頭	Oil Tube Joint, Two Way	1	
EP4169-3A	銷	Pin	1	
EP4174-0A	緊束環	Oil Tube Clamp	2	
EP4476-0B	邦浦底座	Pump Base	1	
EP4481-0A	接頭	Oil Filter Connector	1	
ES2220-0C	管夾	Clamp	1	
FG1152-0B	油管	Pipe	1	
FG1153-0A	塞子	Suction Pipe Bushing	1	
FG4476-1B	邦浦底座	Pump Base	1	
KS0820-0A	標貼	Paster	1	
OBM0000	鋼珠	Seal Plug	1	
OPP04200	O型環	O-ring(P42)	1	
WA050008	平墊圈	Washer	1	
WA060012	平墊圈	Washer	9	
WB051001	彈簧墊圈	Spring Washer	1	
XP300270	油管	Oil Tube	1	
XP300430	油管	Oil Tube	2	
XP300443	油管	Oil Tube	1	

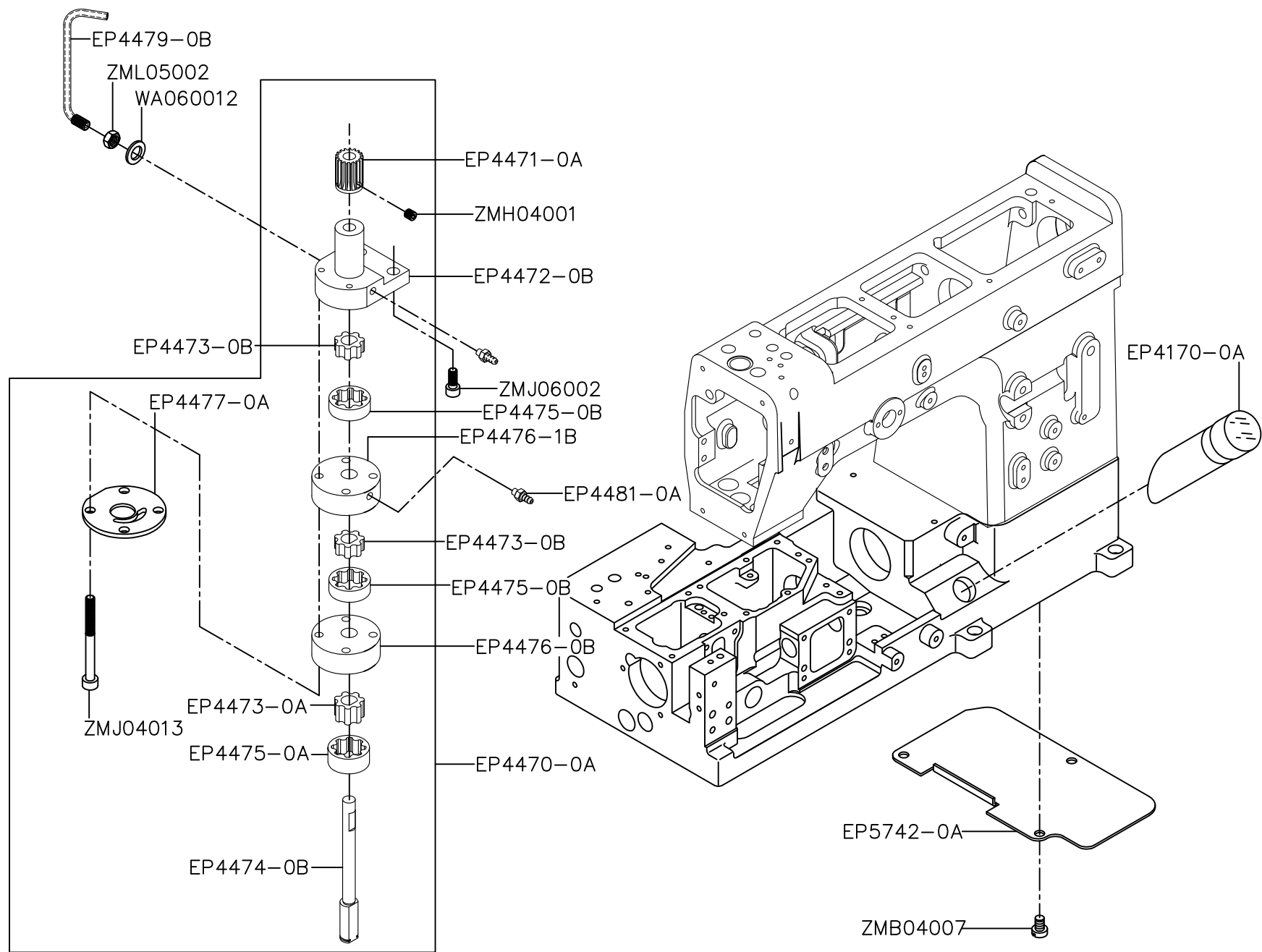
P. CSA-1500N 潤滑系統(1) LUBRICATING SYSTEM(1)



P. CSA-1500N 潤滑系統 (一) LUBRICATING SYSTEM (1)

零件號碼 Parts No.	零件名稱	Name of Parts	件數 Q'TY	備註 Remarks
XP400050	油管	Oil Tube	1	
XP400175	油管	Oil Tube	1	
XP400448	油管	Oil Tube	1	
XP400035	油管	Oil Tube	1	
XP400200	油管	Oil Tube	1	
XP400200	油管	Oil Tube	1	
ZMB04007	螺絲	Screw (M4-0.7x5)	6	
ZML05005	螺帽	Nut	1	
ZMO04012	螺絲	Screw (M4-0.7x12)	3	
ZSK16033	螺絲	Fitting Stud (Short)	4	
ZSK16034	螺絲	Fitting Stud (Short)	1	

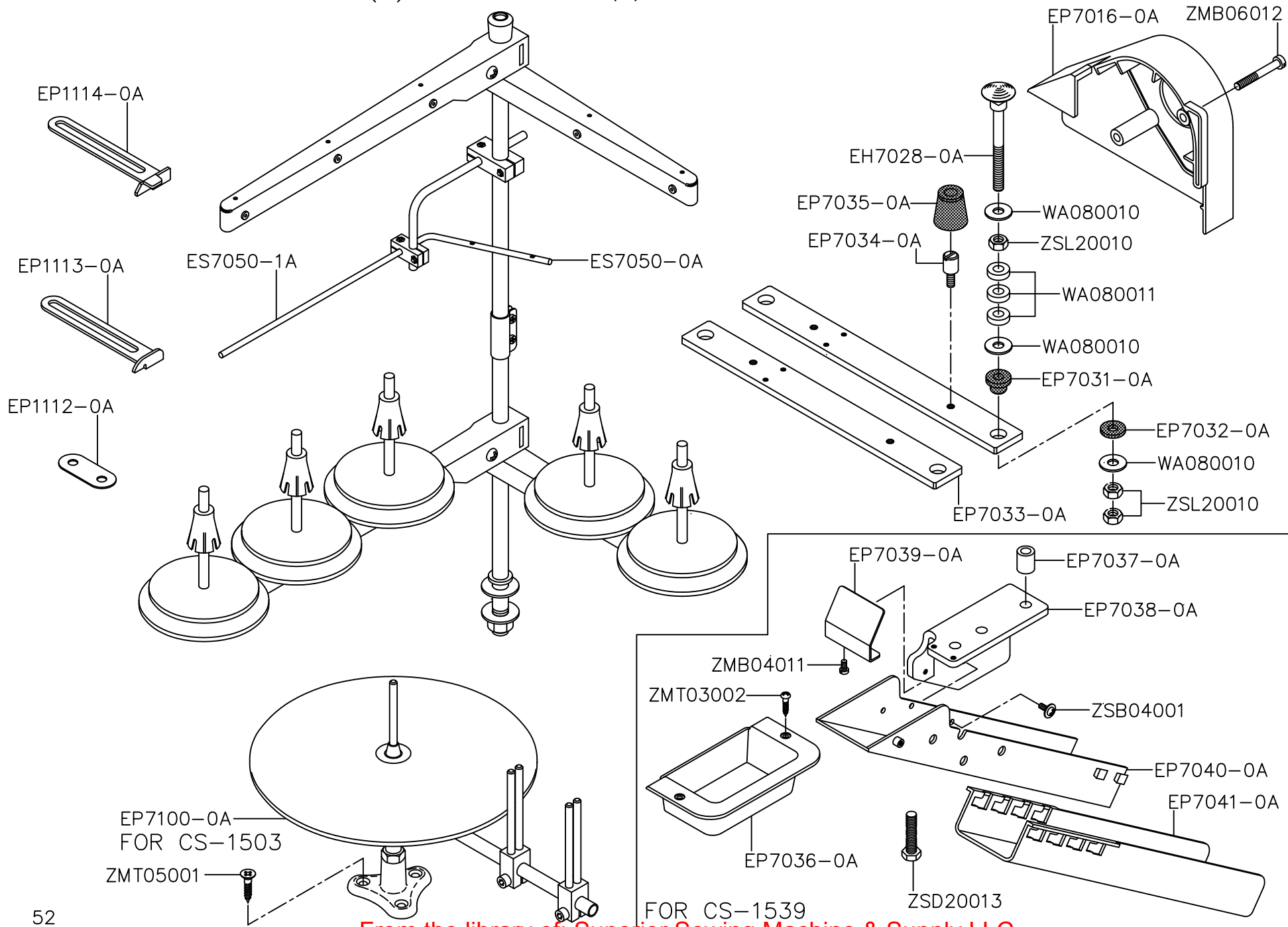
Q. CSA-1500N 潤滑系統(2) LUBRICATING SYSTEM(2)



Q. CSA-1500N 潤滑系統 (二) LUBRICATING SYSTEM (2)

零件號碼 Parts No.	零件名稱	Name of Parts	件數 Q'TY	備註 Remarks
EP5742-0A	防塵蓋	Dust Proof Plate	1	
EP4170-0A	油位計	Oil Tube Stay	1	
EP4470-0A	齒輪泵浦組	Oil Pump, Complete Set	1	
EP4471-0A	齒輪	Oil Pump, Driving Worm Gear	1	
EP4472-0B	泵浦本體	Pump Housing	1	
EP4473-0A	內轉子	Inner Gear	1	
EP4473-0B	內轉子	Inner Gear	2	
EP4474-0B	軸	Shaft	1	
EP4475-0A	外轉子	Ring Gear	1	
EP4475-0B	外轉子	Ring Gear	2	
EP4476-0B	油泵下層	Pump Lower Base	1	
EP4476-1B	泵浦中座	Pump Base	1	
EP4477-0A	泵浦底座蓋	Pump Base Cover	1	
EP4479-0B	噴油嘴	Oil Nozzle For Worm Garf	1	
EP4481-0A	接頭	Oil Tube Joint, One Way	1	
WA060012	平墊圈	Washer	1	
ZMB04007	螺絲	Screw (M4-0.7x5)	1	
ZMH04001	螺絲	Screw (M4-0.7x4)	1	
ZMJ04013	螺絲	Screw (M4-0.7x20)	1	
ZMJ06002	螺絲	Screw (M6-1.0x12)	1	
ZML05002	螺帽	Nut (M4-0.7)	1	

R. CSA-1500N 附件(1) ACCESSORIES(1)



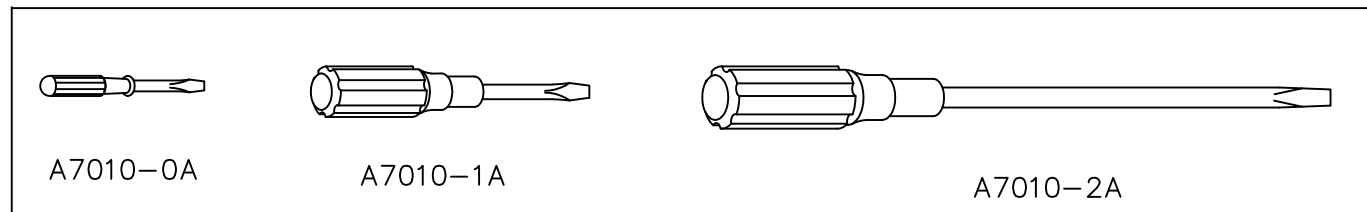
R. CSA-1500N 附件 ACCESSORIES

零件號碼 Parts No.	零件名稱	Name of Parts	件數 Q'TY	備註 Remarks
EP1112-0A	墊圈	Washer	1	
EP1113-0A	定位片	Washer	1	
EP1114-0A	定位片	Washer	1	
EP7016-0A	皮帶輪蓋	Belt Cover	1	
EH7028-0A	車板螺絲	Hanging Bolt (UNC5/16-18x95)	4	
EP7031-0A	墊圈座	Supporting Board Rubber Cushion	4	
EP7032-0A	墊圈	Supporting Board Rubber Cushion (Lower)	4	
EP7033-0A	支撐桿	Supporting Board	2	
EP7034-0A	固定螺栓	Setting Screw	4	
EP7035-0A	緩衝墊	Oil Reservoir Rubber Cushion	4	
EP7036-0A	切屑盒	Chip Receiver	1	
EP7037-0A	套筒	Spacer	2	
EP7038-0A	切屑槽固定板	Chute Support	1	
EP7039-0A	切屑導板	Chip Guiding Plate	1	
EP7040-0A	上斜板	Chute (Upper)	1	
EP7041-0A	下斜板	Chute (Lower)	1	
ES7050-0A	線架組	Thread Stand, Complete Set	1	
ES7050-1A	套管	Pipe	1	
EP7100-0A	織帶支架組	Knitted Tap Stand, Complete Set	1	
WA049003	平墊圈	Washer	1	
WA080010	平墊圈	Washer	12	
WA080011	平墊圈	Washer	12	
ZMB04011	螺絲	Screw (M4-0.7x8)	3	
ZMB06012	螺絲	Screw (M6-1x46)	2	
ZMT03002	木螺釘	Wood Screw	2	
ZMT04004	木螺釘	Wood Screw	3	
ZMT05001	木螺釘	Wood Screw	3	
ZSB04001	螺絲	Screw (M4-0.7x10)	2	
ZSD20013	螺絲	Screw (UNC5/16-18x35)	1	
ZSL20010	螺帽	Nut (UNC5/16-18)	12	

R. CSA-1500N 附件(2) ACCESSORIES(2)



A7001-0A

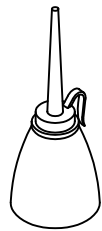


A7010-0A

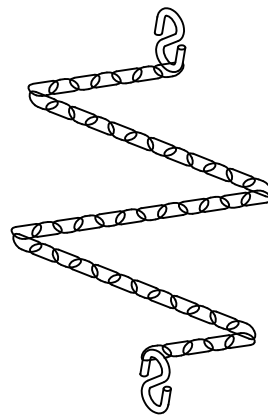
A7010-1A

A7010-2A

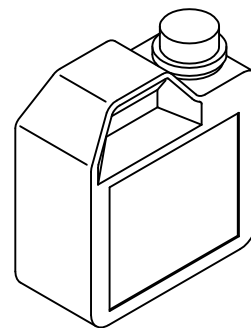
A7010-0Z



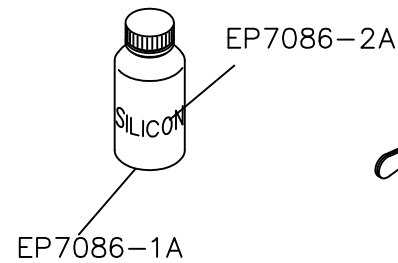
A7012-1A



B7060-0A

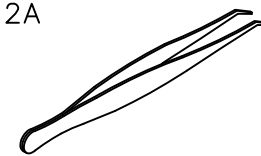


A7012-0A

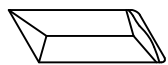


EP7086-1A

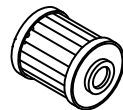
EP7086-2A



G7014-0A



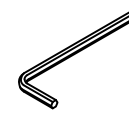
INUY128GAS



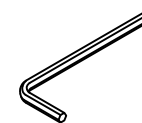
EH4469-0A



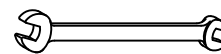
TLA015



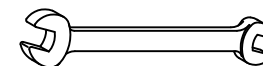
TLA025



TLA030



TRB06X07



TRB08X10

R. CSA-1500N 附件 ACCESSORIES

零件號碼 Parts No.	零件名稱	Name of Parts	件數 Q'TY	備註 Remarks
A7001-0A	防塵罩	Vinyl Cover	1	
A7010-0A	螺絲起子(小)	Screw Driver (Small)	1	
A7010-1A	螺絲起子(中)	Screw Driver (Medium)	1	
A7010-2A	螺絲起子(大)	Screw Driver (Large)	1	
A7010-0Z	螺絲起子(組)	Screw Driver	1	
A7012-1A	油壺(中)	Oiler	1	
B7060-0A	鏈子	Chain Assembly	1	
A7012-2A	油壺(1L)	Oil Bottle (1L)	1	
EP7086-1A	矽膠油	Silicone Oil	1	
EP7086-2A	标识	Paster	1	
EH4469-0A	油過濾器	Oil Filter	1	
G7014-0A	鑷子	Tweezers	1	
INUY128GAS	車針	Needles	6	
TLA015	L型六角扳手	Hexagonal Wrench 1.5mm	1	
TLA025	L型六角扳手	Hexagonal Wrench 2.5mm	1	
TLA030	L型六角扳手	Hexagonal Wrench 3mm	1	
TRB06X07	雙頭開口扳手	Open-end Wrench 6x7	1	
TRB08X10	雙頭開口扳手	Open-end Wrench 8x10	1	

S、CSA-1500N 零件號碼與頁數對照 NUMERICAL PARTS-LIST

零件號碼 PARTS NO.	頁數 PAGE	零件號碼 PARTS NO.	頁數 PAGE	零件號碼 PARTS NO.	頁數 PAGE	零件號碼 PARTS NO.	頁數 PAGE	零件號碼 PARTS NO.	頁數 PAGE
6120357000	46	EP1021-1A	10	EP1060-0A	10	EP1158-0A	46	EP1281-0A	14
A1015-1A	2	EP1021-2A	10	EP1061-0A	10	EP1182-0A	30	EP1282-0A	14
A7001-0A	54	EP1024-0A	10	EP1062-0A	10	EP1184-0A	30	EP1283-0A	22
A7010-0A	54	EP1024-1A	10	EP1063-0A	12	EP1186-0A	30	EP1301-0A	14
A7010-1A	54	EP1025-0A	10	EP1064-0A	12	EP1190-0A	30	EP1312-0A	30
A7010-2A	54	EP1026-0A	10	EP1067-0A	12	EP1191-0A	30	EP1314-0A	30
A7012-1A	54	EP1027-0A	10	EP1068-0A	24	EP1193-0A	30	EP1315-0A	30
B7060-0A	54	EP1029-0A	10	EP1069-0A	24	EP1202-0A	30	EP1316-0A	30
BB6002	18	EP1030-0A	10	EP1072-0A	24	EP1203-0A	30	EP1318-0A	30
BB6202VV	22	EP1031-0A	10	EP1073-0A	12	EP1253-0A	34	EP1320-0A	46
BB6204VVNR	18,22	EP1032-0A	10	EP1076-0H	26	EP1254-0A	14	EP1324-0A	30
BB6205VVNR	18	EP1033-0A	30	EP1077-0A	2,6,14	EP1255-0A	14	EP1325-0A	30
BB6300VV	18	EP1034-0A	10	EP1077-0A	26	EP1256-0A	34	EP1327-0A	30
BN081113	26	EP1035-0A	10,20	EP1079-0B	14	EP1257-0A	34	EP1328-0A	30
BN242810	44	EP1036-0A	10,20	EP1079-1C	14	EP1257-0Z	34	EP1346-0A	22
BNKT121510	44	EP1037-0A	10,20	EP1082-0A	30	EP1259-0A	34	EP1347-0A	18
BNKT222613	34	EP1038-0A	10	EP1083-0A	26	EP1261-0A	34	EP1360-1A	2
EH4469-0A	46	EP1039-0E	10	EP1084-0A	14	EP1262-0A	34	EP1362-0A	2
EH7012-0A	54	EP1041-0A	10	EP1085-0A	14	EP1263-0A	34	EP1364-0A	2
EP1009-0A	2	EP1042-0A	10	EP1086-0A	14	EP1265-0A	34	EP1367-0A	6,14
EP1011-0A	6	EP1043-0A	10	EP1087-0A	14	EP1268-0A	34	EP1368-0A	6
EP1012-0A	6	EP1045-0A	10	EP1092-0A	34	EP1271-0A	22	EP1500-10	2
EP1014-0A	6	EP1047-0A	10	EP1100-1A	22	EP1273-0A	22	EP2401-0A	26
EP1015-1A	22	EP1051-0A	10	EP1100-1Z	24	EP1275-0A	24	EP2405-0A	26
EP1015-3A	2	EP1056-0A	10	EP1103-0A	18,22	EP1276-0A	24	EP2420-0A	26
EP1015-4A	2	EP1057-0A	10	EP1105-1A	22	EP1278-0A	24	EP2420-0Z	26
EP1016-1A	2	EP1058-0A	10	EP1130-0A	26	EP1279-0A	24	EP2422-0A	26
EP1021-0A	10	EP1059-0A	10	EP1152-0A	46	EP1279-1A	24	EP2427-0A	26

S、CSA-1500N 零件號碼與頁數對照 NUMERICAL PARTS-LIST

零件號碼 PARTS NO.	頁數 PAGE	零件號碼 PARTS NO.	頁數 PAGE	零件號碼 PARTS NO.	頁數 PAGE	零件號碼 PARTS NO.	頁數 PAGE	零件號碼 PARTS NO.	頁數 PAGE
EP2436-0A	26	EP4471-0A	50	EP5155-0A	6	EP5275-0A	14	EP5396-0A	22
EP2438-0A	26	EP4472-0B	50	EP5156-0A	6	EP5276-0A	14	EP5429-0A	26
EP2451-0A	30	EP4473-0A	50	EP5159-0A	6	EP5279-0A	14	EP5430-0A	26
EP2454-0A	30	EP4473-0B	50	EP5160-0A	6	EP5280-0A	14	EP5431-0A	26
EP2459-0A	30	EP4474-0B	50	EP5161-0A	6	EP5292-0A	14	EP5433-0A	26
EP2483-0A	30	EP4475-0A	50	EP5162-0A	6	EP5301-0A	18	EP5434-0A	26
EP2484-0A	30	EP4475-0B	50	EP5169-0A	6	EP5305-0A	18	EP5553-0A	36
EP2495-0A	30	EP4476-0B	46, 50	EP5170-0A	6	EP5309-0A	18	EP5553-1A	36
EP2703-0A	46	EP4476-1B	50	EP5171-0A	6	EP5312-0A	18	EP5555-0A	36
EP2704-0A	46	EP4477-0A	50	EP5172-0A	6	EP5313-0A	18	EP5557-0A	36
EP2705-0A	46	EP4479-0B	50	EP5174-0A	6	EP5314-0A	18	EP5560-0A	36
EP2722-0A	46	EP4481-0A	46, 50	EP5176-0A	6	EP5319-0A	18	EP5562-0A	36
EP4025-0A	46	EP5111-0A	2	EP5179-0A	6	EP5319-1A	18	EP5565-0A	36
EP4026-0A	46	EP5112-0A	2	EP5180-0A	6	EP5321-0A	18	EP5567-0A	36
EP4031-0A	50	EP5113-0A	2	EP5183-0E	6	EP5323-0A	18	EP5568-0A	36
EP4068-0A	2	EP5118-0A	2	EP5189-0A	6	EP5324-0A	18	EP5569-0A	36
EP4153-0A	40	EP5119-0A	2, 6	EP5193-0A	6	EP5327-0A	18	EP5571-0A	36
EP4154-0A	40	EP5120-0A	2	EP5215-0A	12	EP5329-0A	18	EP5573-0A	38
EP4166-0A	46	EP5123-0A	2	EP5218-0A	12, 20	EP5335-0A	20	EP5573-1A	38
EP4167-0A	46	EP5130-0A	2	EP5263-0A	14	EP5336-0A	20	EP5574-0A	38
EP4169-0A	46	EP5133-0A	2	EP5265-0A	14	EP5337-0A	20	EP5576-0A	38
EP4170-0A	50	EP5134-0A	2	EP5266-0A	14	EP5339-0A	20	EP5578-0A	38
EP4174-0A	46	EP5137-0A	2	EP5268-0A	14	EP5341-0A	20	EP5579-0A	38
EP4203-0A	6	EP5142-0A	6	EP5269-0A	14	EP5343-0A	20	EP5581-0A	38
EP4239-0A	44	EP5144-0A	6	EP5270-0A	14	EP5346-0A	20	EP5582-0A	38
EP4288-0A	2	EP5144-1A	6	EP5271-0A	14	EP5354-0A	20	EP5583-0A	38
EP4402-0A	18	EP5147-0A	6	EP5272-0A	14	EP5356-0A	20	EP5584-0A	38
EP4470-0A	50	EP5149-0A	6	EP5274-0A	14	EP5369-0A	22	EP5585-0A	38

S、CSA-1500N 零件號碼與頁數對照 NUMERICAL PARTS-LIST

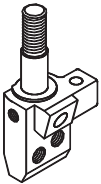
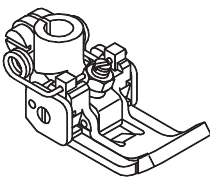
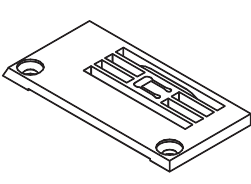
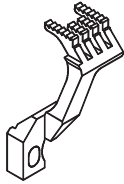

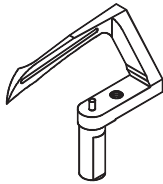
零件號碼 PARTS NO.	頁數 PAGE	零件號碼 PARTS NO.	頁數 PAGE	零件號碼 PARTS NO.	頁數 PAGE	零件號碼 PARTS NO.	頁數 PAGE	零件號碼 PARTS NO.	頁數 PAGE
EP5587-0A	38	EP5657-0A	44	EP7040-0A	52	LN2252-0A	16	TRB08X10	54
EP5601-0A	40	EP5659-0A	44	EP7041-0A	52	LN2269-0A	16	WA030006	12
EP5602-0A	40	EP5661-0A	44	EP7042-0A	52	LN2270-0A	16	WA030007	20
EP5605-0A	40	EP5663-0A	44	EP7044-0A	52	OAGM071503	16	WA039001	20
EP5606-0A	40	EP5665-0A	44	EP7050-0A	52	OAGM081503	16	WA049003	52
EP5607-0A	40	EP5667-0A	44	EP7086-0A	54	OAGM091504	16	WA049006	12
EP5609-0A	40	EP5669-0A	44	EP7100-0A	52	OAGM101703	16	WA050008	36, 42
EP5612-0A	40	EP5671-0A	44	ET0224-0A	2	OAGM101805	16	WA050008	46
EP5614-0A	40	EP5673-0A	44	EZ1361-0A	2	OAVC153206	16	WA050010	8
EP5615-0A	40	EP5675-0A	44	FG1010-0B	2	OBM00020	46	WA059005	16
EP5616-0A	40	EP5676-0A	44	FG1070-0A	26	OBM00025	36	WA059008	42
EP5617-0A	40	EP5677-0A	44	FG1106-0A	26	OPG04000	18	WA060012	46, 50
EP5618-0A	40	EP5682-0A	40	FG1152-0A	46	OPP00600	8	WA060017	8
EP5621-0A	40	EP5684-0A	40	FG1153-0A	46	OPP00680	40	WA069001	34
EP5622-0A	40	EP5685-0A	40	FG1178-0B	14	OPP01700	2	WA080009	26
EP5624-0A	40	EP5752-1A	6	FG1180-0A	30	OPP04200	46	WA080010	52
EP5625-0A	40	EP6101-1A	34	FG1267-0A	34	RA200130	16	WA080011	52
EP5627-0A	40	EP7016-0A	52	FG1269-0B	14	RA300155	44	WB051001	24, 38
EP5630-0A	40	EP7020-0A	52	FG1345-0A	22	RB20015B	22	WB051001	42, 46
EP5632-0A	40	EP7031-0A	52	FG2250-0B	16	RB200220	34	WC059001	2, 8
EP5633-0A	40	EP7032-0A	52	FG2251-0A	14	RB300075	40	WC060003	8, 16
EP5635-0A	40	EP7033-0A	52	FG2252-0A	16	RE000030	30	WD000035	26
EP5636-0A	40	EP7034-0A	52	FG2269-0A	14	RE000040	8	WH104001	34
EP5639-0A	40	EP7035-0A	52	FG2424-0A	26	RE000060	20, 42	WH205003	24
EP5640-0A	40	EP7036-0A	52	FG4476-1B	46	TLA015	54	WH208007	20
EP5651-0A	44	EP7037-0A	52	G7014-0A	54	TLA025	54	WH209004	24
EP5653-0A	44	EP7038-0A	52	INUY128GAS	26, 54	TLA030	54	WH210005	34
EP5655-0A	44	EP7039-0A	52	L7070-0A	54	TRB06X07	54	XA300025	26

S、CSA-1500N 零件號碼與頁數對照 NUMERICAL PARTS-LIST

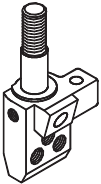
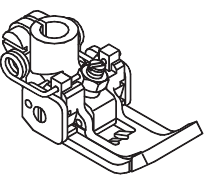
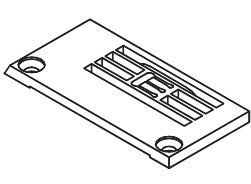
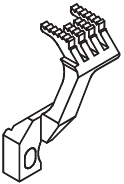

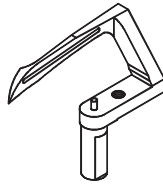
零件號碼 PARTS NO.	頁數 PAGE	零件號碼 PARTS NO.	頁數 PAGE	零件號碼 PARTS NO.	頁數 PAGE	零件號碼 PARTS NO.	頁數 PAGE	零件號碼 PARTS NO.	頁數 PAGE
XA300140	18	ZMB04011	2,12,20	ZMH05001	18,34	ZMK04015	4,8	ZSB11010	32
XA300180	22	ZMB04011	22,42	ZMH05001	36,42	ZMK04016	8	ZSB11015	32
XB123001	12	ZMB04011	44,50	ZMH05001	44	ZMK04017	4	ZSB11094	32,34
XB310005	12	ZMB04011	52	ZMH05009	36	ZMK05020	44	ZSB11094	38
XB316004	16	ZMB04016	8,20,26	ZMH06003	18,22	ZML04006	4	ZSB15006	32
XC200060	12	ZMB04016	42	ZMH06008	18,22	ZML05002	36	ZSB24002	4
XP300443	46	ZMB04022	2,8	ZMH06008	34,38	ZML05005	48	ZSC09028	28
XP400035	46	ZMB04037	34	ZMH06008	44	ZML06001	34	ZSD09002	20
XP400183	46	ZMB04042	38	ZMH06011	18,22	ZMQ04012	4,48	ZSD11011	32
XP400200	46	ZMB04046	32	ZMH06015	22	ZMQ06001	16	ZSD20013	52
XP400448	46	ZMB04047	42	ZMH08004	26	ZMT03002	52	ZSG08006	12
YA050100	8	ZMB05021	8	ZMJ04002	8	ZMT04004	52	ZSG11060	16
YD020006	12	ZMB06012	52	ZMJ04012	8,26	ZMT05001	52	ZSG11068	8
YD030010	18	ZMC03004	12,20	ZMJ04013	26,50	ZSA08009	28	ZSG12048	32
YD040008	12	ZMC04002	42	ZMJ04014	16,36	ZSA11004	38	ZSH09001	34
YD040016	30	ZMC04003	8	ZMJ04014	38	ZSA14006	18	ZSK16033	48
ZMA04005	30	ZMC04007	8,12,42	ZMJ05001	18,24	ZSB04001	52	ZSK16034	48
ZMB02505	36	ZMD04004	8	ZMJ05003	32	ZSB06013	16	ZSL11004	16
ZMB03018	30	ZMD05008	42	ZMJ05008	24	ZSB06017	28	ZSL16014	50
ZMB03020	26,30	ZMD05009	42	ZMJ05011	42	ZSB06018	38	ZSL20010	52
ZMB03021	18,42	ZMG02501	36	ZMJ05015	36,38	ZSB08038	24	ZSN11002	12,20
ZMB03023	8	ZMG04024	4	ZMJ05016	28	ZSB08042	20		
ZMB03502	24,42	ZMG04026	8	ZMJ06002	24,34	ZSB09003	32		
ZMB03503	18	ZMH03002	4,18,20	ZMJ06002	50	ZSB09011	28,32		
ZMB03507	20	ZMH04001	8,18,26	ZMJ06004	4	ZSB09017	12		
ZMB04006	8	ZMH04001	36,42	ZMJ06008	42,44	ZSB09030	20		
ZMB04007	2,8,46	ZMH04001	50	ZMK03002	44	ZSB09051	24		
ZMB04008	22,34	ZMH04010	44	ZMK03003	44	ZSB11002	24		

CSA-1500N 附錄 APPENDIX

2 針用更換零件 Alternative Parts for 2 Needles

Parts Name						
	針鉤	押腳	針板	前送料齒	後送料齒	勾針
Models	Needle Clamp	Presser Foot	Stitch Plate	Differential Feed Dog	Main Feed Dog	Looper
CSN-1500N-2-132M	EP1075-232A	EP1231-232A	EP6050-232A	EP6061-310A	EP6062-310A	EP5585-0A
CSN-1500N-2-140M	EP1075-240A	EP1231-240A	EP6050-240A	EP6061-310A	EP6062-310A	EP5585-0A
CSN-1500N-2-148M	EP1075-248A	EP1231-248A	EP6050-248A	EP6061-310A	EP6062-310A	EP5585-0A

3 針用更換零件 Alternative Parts for 3 Needles

Parts Name						
	針鉤	押腳	針板	前送料齒	後送料齒	勾針
Models	Needle Clamp	Presser Foot	Stitch Plate	Differential Feed Dog	Main Feed Dog	Looper
CSN-1500N-3-148M	EP1075-348A	EP1231-348A	EP6050-348A	EP6061-310A	EP6062-310A	EP5585-0A
CSN-1500N-3-156M	EP1075-356A	EP1231-356A	EP6050-356A	EP6061-310A	EP6062-310A	EP5585-0A
CSN-1500N-3-164M	EP1075-364A	EP1231-364A	EP6050-364A	EP6061-320A	EP6062-320A	EP5585-0A



啓翔股份有限公司
CHEE SIANG INDUSTRIAL CO.,LTD.

NO.32 WU CHUAN 7TH ROAD,WU KU INDUSTRIAL AREA,
WU KU HSIANG 24248,TAIPEI HSIEN,TAIWAN.